

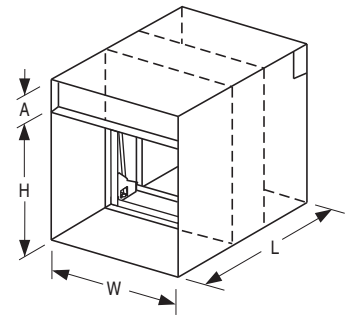


**DYNAMIC INTEGRAL SLEEVE CURTAIN TYPE FIRE DAMPER**  
 1 1/2 HR. LABEL  
 VERTICAL OR HORIZONTAL MOUNT  
 FOR USE IN DYNAMIC OR STATIC SYSTEMS  
**MODEL: D0124-1X (TYPE B)**



**QUALIFICATIONS:**

- **UL 555 & CAN/ULC-S112 CLASSIFIED DYNAMIC FIRE DAMPER.** 1 1/2 hr. label (File # R9492).
- Meets all the requirements of UL and NFPA 80, 90A and 101 for fire dampers in dynamic HVAC systems, as well as IBC and NBC (Canada) Building Code requirements.
- City of New York Board of Standards and Appeals. Cal. No. 460-88-SA.
- California State Fire Marshal: Fire Damper Listing No. 3225-0935:0113.
- Maximum velocity: 4000 fpm @ 4" w.g. (20 m/s @ 1 kPa).



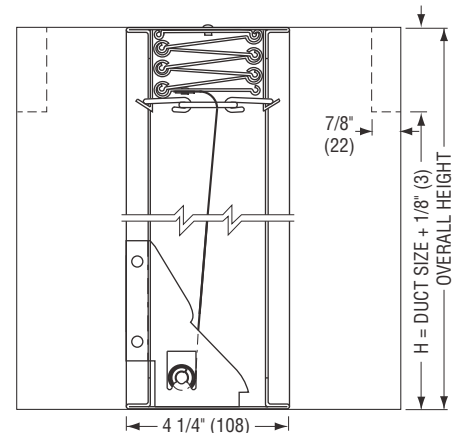
Model Series D0124-1X curtain fire dampers are UL approved for use where local building codes require the protection of HVAC ductwork penetrations in walls, partitions or floors that have a fire resistance rating of up to 2 hours. Classified for use in dynamic "fans on" systems where the HVAC system remains operative in the event of a fire, damper closure under airflow is assured. Integral sleeve fire dampers offer convenience and labor savings. The costly requirement to field or shop fabricate custom sleeves is eliminated and dampers can therefore ship directly from the manufacturer to the job site – saving time and money. Type B fire dampers place the curtain blade pack out of the air stream for higher free area and reduced pressure drop.

Type B – Blades out of airstream.

Duct Height (H)	Dim. 'A'
4" – 17" (102 – 432)	2" (51)
18" – 27" (457 – 686)	3" (76)
28" – 32" (711 – 813)	4" (102)

**STANDARD CONSTRUCTION:**

- Integral** 22 ga. (0.85) roll-formed G60 galvanized steel.  
**Sleeve/Frame:** D0124 - 12 Length 12" (305)  
 D0124 - 14 Length 14" (356)  
 D0124 - 16 Length 16" (406)  
**Blades:** Curtain type interlocking blades, 22 ga. (0.85) roll-formed G60 galvanized steel.  
**Fusible Link:** 165°F (74°C) standard. UL Listed. 212°F (100°C) available.  
**Blade Closure:** Stainless steel closure springs and galv. steel locking ramps.  
**Sizes (Duct W x H):**



**VERTICAL MOUNT**

Model Type	Velocity/ Pressure Rating	Single Section			
		Minimum		Maximum	
		Vertical	Horizontal	Vertical	Horizontal
D0124-12/14/16	24	6" x 4" (152 x 102)	6" x 4" (152 x 102)	36" x 32" (914 x 813)	24" x 21" (610 x 533)
	34, 44	6" x 4" (152 x 102)	—	24" x 21" (610 x 533)	—

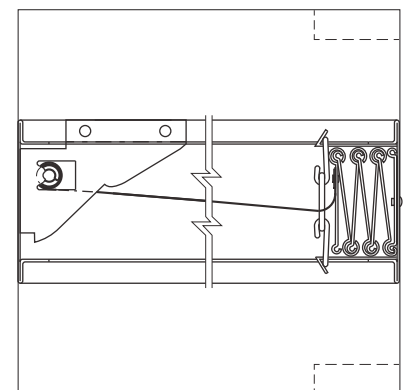
**Note:** Multiple section assemblies are not permitted.

**OPTIONS:**

- Non-standard temperature fusible link. Specify \_\_\_\_\_.
  - PT Pull Tab Release. Permits simple reset of horizontal damper when access door is located below damper. (See dwg. ACC-PTR for details).
  - QS1 Quick-set retaining angles (single set).
  - QS2 Quick-set retaining angles (pair).
- Hemmed Sleeve for slip and drive connection:
- HM2 (both ends).
  - HM1 (one end).

**DYNAMIC VELOCITY/PRESSURE RATING:**

- 24 2000 fpm @ 4" w.g. (Standard)
- 34 3000 fpm @ 4" w.g. } (Optional)
- 44 4000 fpm @ 4" w.g. }



**HORIZONTAL MOUNT**

For installation instructions, see IOM-FDINST.  
 Dimensions are in inches (mm).

<b>SCHEDULE TYPE:</b>				
<b>PROJECT:</b>				
<b>ENGINEER:</b>	<b>DATE</b>	<b>B SERIES</b>	<b>SUPERSEDES</b>	<b>DRAWING NO.</b>
<b>CONTRACTOR:</b>	11 - 6 - 17	FD	4 - 28 - 14	D0100-5B