



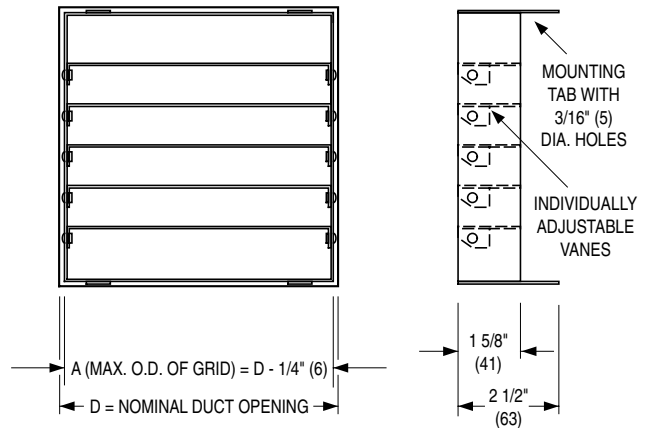
# AIR BALANCING DEVICES

## EQUALIZING GRID FOR SQUARE AND RECTANGULAR NECKS

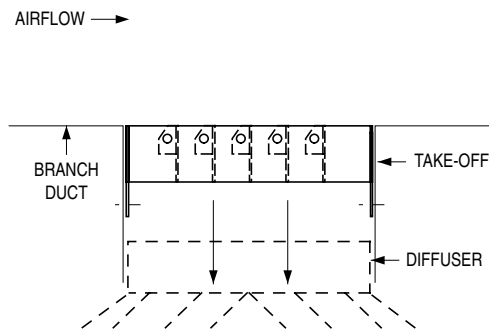
### MODELS: EGS AND EGL

#### DESCRIPTION:

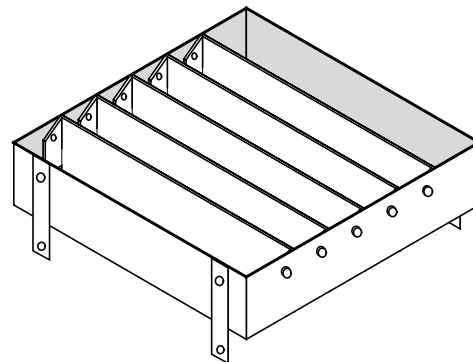
1. Material: Corrosion-resistant steel.
2. The Nailor Models EGS and EGL are duct mounted equalizing grids for use in square and rectangular ducts.
3. The Nailor Models EGS and EGL are duct mounted grids that equalize the airflow into the branch duct or diffuser neck and provides directional control.  
The individually adjustable vanes are friction pivoted to hold the desired setting.
4. The suffix 'S' or 'L' indicated blades are parallel to the short or long dimension.
5. Shipped loose for field installation.  
Recommended method of installation is flush with the take-off collar with the vanes perpendicular to the airflow. The damper opens upstream to divert the air.



#### TYPICAL INSTALLATION:



#### DETAIL:



NECK DIA.	DIMENSION A
6	5 3/4 (146)
8	7 3/4 (197)
10	9 3/4 (248)
12	11 3/4 (298)
14	13 3/4 (349)
15	14 3/4 (375)
16	15 3/4 (400)
18	17 3/4 (431)
20	19 3/4 (502)
24	23 3/4 (603)

SCHEDULE TYPE:

PROJECT:

ENGINEER:

CONTRACTOR:

Dimensions are in inches (mm).

DATE

B SERIES

SUPERSEDES

DRAWING NO.

25 - 8 - 99R

ACC.DIF.

3 - 94

ACC.EGS/L