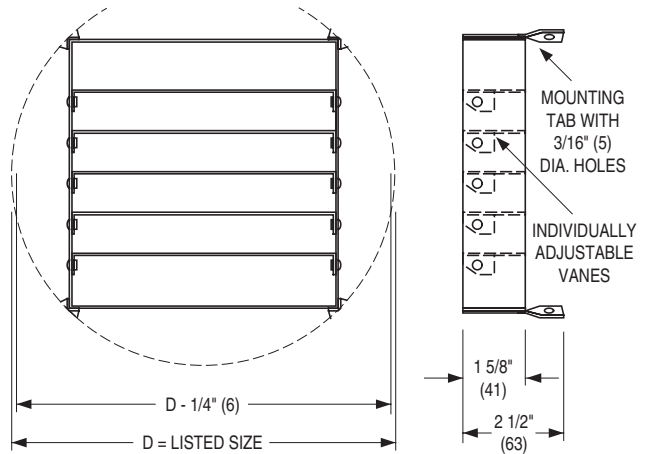




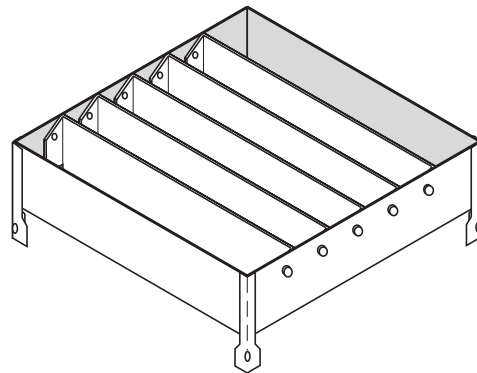
AIR BALANCING DEVICES
EQUALIZING GRID FOR ROUND NECKS
MODEL: EGR

DESCRIPTION:

1. Material: Corrosion-resistant steel.
2. The Nailor Model EGR is a duct mounted equalizing grid for use in round duct applications.
3. The Nailor Model EGR is used to equalize the airflow into the branch duct or diffuser neck and provides directional control. The individually adjustable vanes have friction pivots to hold the desired setting.
4. Available in sizes:
 6", 7", 8", 9", 10", 12", 14", 15", 16", 18",
 20", 24" (152, 178, 203, 229, 254, 305,
 357, 381, 406, 457, 508, 610).

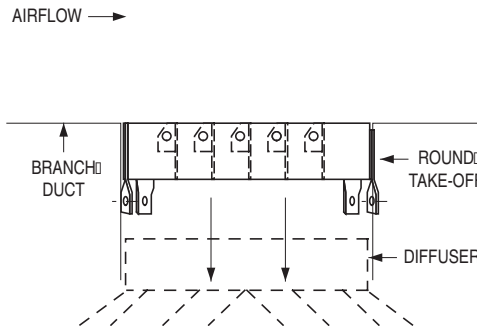


DETAIL:



TYPICAL INSTALLATION:

1. Shipped loose for field installation. Recommended method of installation is flush with the take-off collar with the vanes perpendicular to the direction of the approaching airflow.



SCHEDULE TYPE:		Dimensions are in inches (mm).			
PROJECT:					
ENGINEER:	DATE	B SERIES	SUPERSEDES	DRAWING NO.	
CONTRACTOR:	3 - 31 - 21	ACC.DIF.	25 - 8 - 99RR	ACC.EGR	