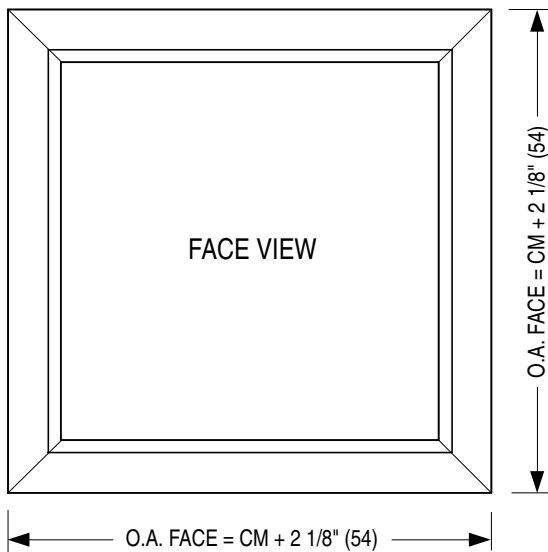
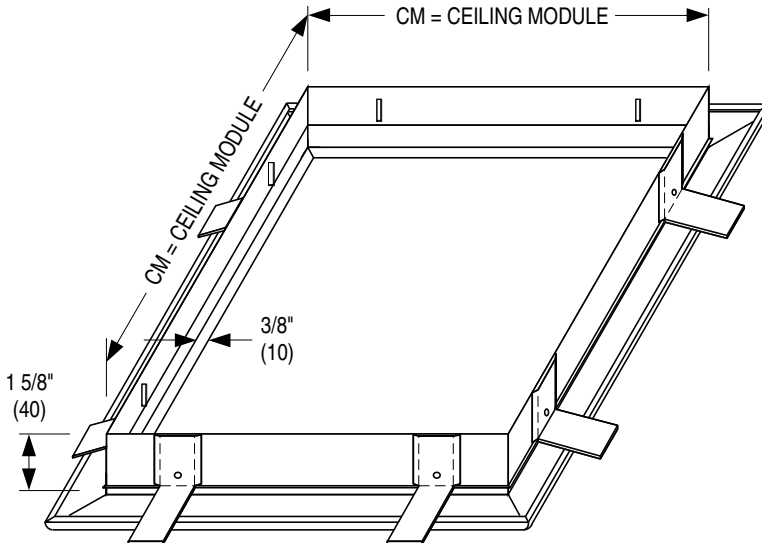


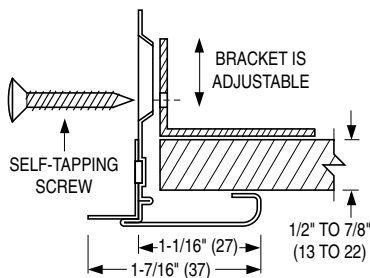


**CEILING DIFFUSER ACCESSORIES**  
**DRYWALL/PLASTER FRAME • STEEL**  
**MODEL: DFS**

**STEEL SURFACE MOUNT ADAPTOR FRAME FOR**  
**MODEL SERIES RNS, 4300, 4600 OR UNI LAY-IN T-BAR DIFFUSERS**



**TYPICAL INSTALLATION**



**DESCRIPTION:**

The Model DFS is for mounting in finished drywall or plaster ceilings to accept any standard lay-in type diffuser.

It allows the retrofit of lay-in diffusers and simplified installation of flexible duct in surface mount applications.

Model DFS is installed quickly and easily using adjustable fastening angle brackets which adapt to variable ceiling thicknesses.

The finished appearance is professional and aesthetically pleasing.

Model DFS simplifies and reduces installation time compared with surface mount type diffusers.

A major benefit is that the diffuser allows ceiling access for maintenance purposes in lieu of separate access doors.

Material: Roll-formed corrosion-resistant steel with staked and mitered corners.

Standard Finish: AW Appliance white baked enamel.

**OPTIONS:**

Finish:

SP Special \_\_\_\_\_ .

**AVAILABLE CEILING MODULES:**

IMPERIAL MODULES		METRIC MODULES
Imperial Units (inches)	S.I. Units (mm)	S.I. Units (mm)
12 x 12	305 x 305	300 x 300
16 x 16	406 x 406	400 x 400
20 x 20	508 x 508	500 x 500
24 x 12	610 x 305	600 x 300
24 x 24	610 x 610	600 x 600

CEILING OPENING = CM + 1/4" (6)

**SCHEDULE TYPE:**

**PROJECT:**

**ENGINEER:**

**CONTRACTOR:**

Dimensions are in inches (mm).

DATE	B SERIES	SUPERSEDES	DRAWING NO.
17 - 5 - 00R	ACC-DIF.	11 - 95	ACC-DFS