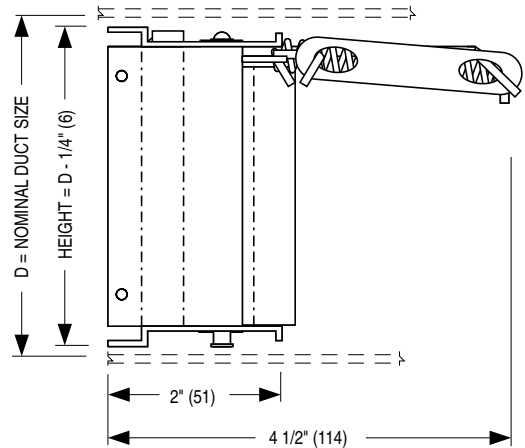
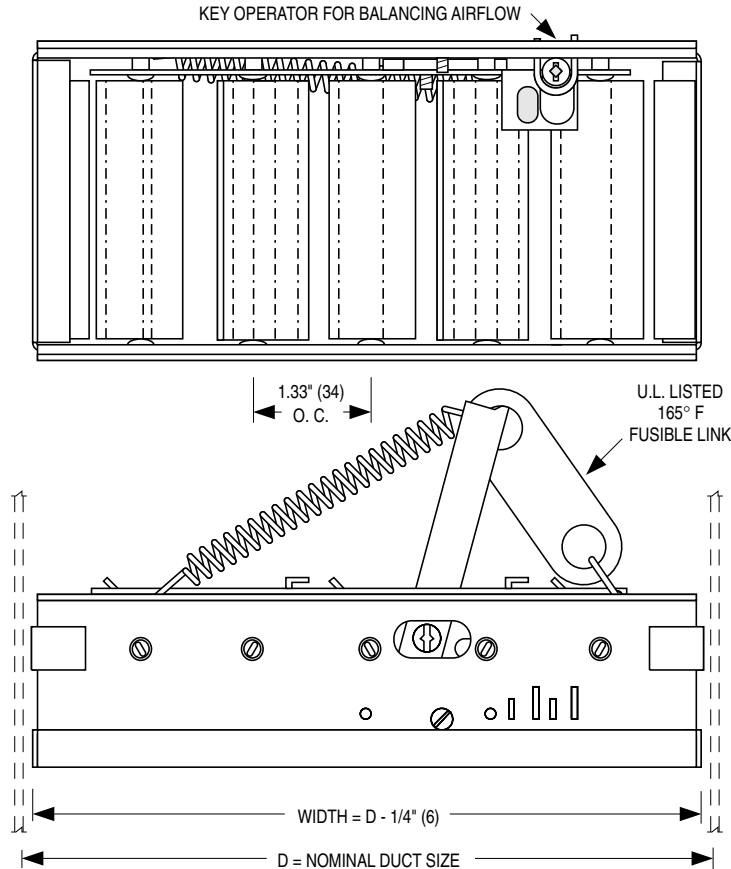




COMBINATION FIRE AND VOLUME DAMPER
 VERTICAL OR HORIZONTAL INSTALLATION
 MODEL: 907FL



1 1/2 HOUR RATING FOR USE IN FIRE SEPARATIONS OF UP TO 2 HOURS. TESTED IN ACCORDANCE WITH ULC S112/UL 555. APPROVED FOR INSTALLATION WITH OR WITHOUT STEEL GRILLE.



	LISTED FIRE DAMPER - 1 1/2 HR. RATING TESTED IN ACCORDANCE WITH ULC S112/UL 555	NAILOR INDUSTRIES INC. TORONTO, ONTARIO HOUSTON, TEXAS
	WH- FOR INSTALLATION IN VERTICAL OR HORIZONTAL POSITION, WITH OR WITHOUT STEEL REGISTER.	

DESCRIPTION:

The 907FL is a dual purpose heavy gauge opposed blade damper designed primarily for use as an air balancing device behind supply or return air grilles (or in branch ducts) and a 1 1/2 hour labeled fire damper. Where the building code requires the protection of a ductwork penetration in a wall or floor required to have a fire resistance rating, and the ductwork terminates at a grille, the 907FL provides the solution. Rather than using a register and separate curtain type fire damper, the 907FL functions as both, saving on both installation cost and space. The unique 907FL is the only listed fire damper that may be installed directly attached to the back of a steel grille as it was successfully tested this way. Other manufacturers' products require the damper to be installed independently in the duct behind the grille, so adding to the cost and also complicating the installation.

SPECIFICATION:

1. Material: Minimum 20 ga. (0.91) steel blade and frame.
2. Bronze blade pivot bushings.
3. UL listed fusible link 165°F (74°C) standard.
4. Finish: BK Black baked enamel.

NOTES:

1. Minimum size: 6" x 4" (152 x 102)
 Maximum size: 24" x 12" (610 x 305) single section.
 24" x 24" (610 x 610) or
 48" x 12" (1219 x 305) as a factory assembled multiple section.
2. Refer to drawing 907FL-2 for installation instructions.

SCHEDULE TYPE:	Dimensions are in inches (mm).			
PROJECT:				
ENGINEER:	DATE	C SERIES	SUPERSEDES	DRAWING NO.
CONTRACTOR:	28 - 7 - 99R	ACC. GR.	11 - 94	ACC.907FL-1