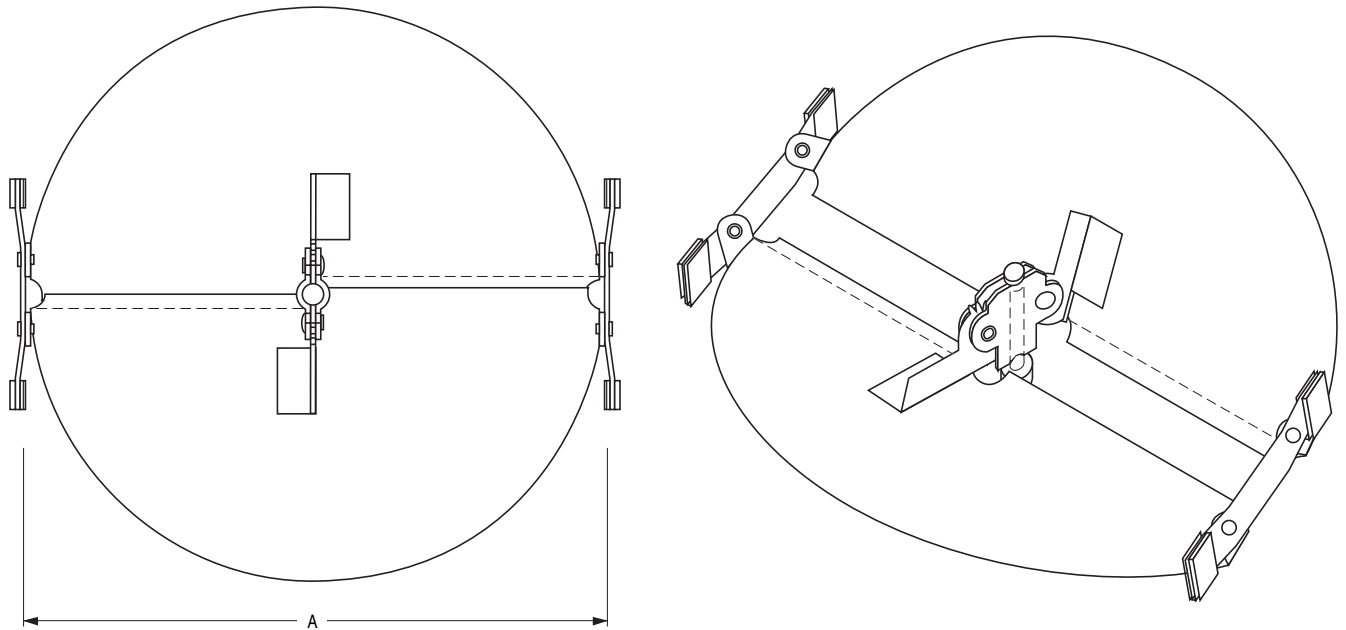




**AIR BALANCING DEVICE
BUTTERFLY DAMPER
STEEL • FOR ROUND NECK DIFFUSERS
MODEL: 4675**

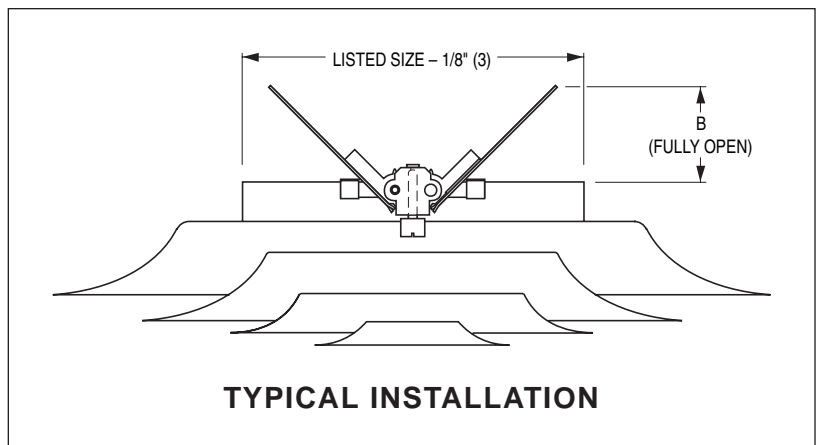


DESCRIPTION:

The Model 4675 Butterfly Damper is an economical damper for volume balancing in round neck diffusers. Adjustable friction pivots hold the blades at the required setting.

1. Material: Corrosion-resistant steel. Mill finish.
2. The 4675 damper mounts directly to diffuser collar. Not compatible with Model Series RNSA, RNR, RNRA1, 6300 or 6300R diffusers.
3. Screwdriver slot operator is adjustable from the face of the diffuser.

	Nominal Size (inches)					Nominal Size (mm)				
	6	8	10	12	14	152	203	254	305	356
A	5 7/8	7 7/8	9 7/8	11 7/8	13 7/8	149	200	251	302	352
B	2 1/2	3 1/2	4 1/2	5 1/2	6 1/2	64	89	114	140	165



TYPICAL INSTALLATION

SCHEDULE TYPE:					Dimensions are in inches (mm).				
PROJECT:									
ENGINEER:					DATE	B SERIES	SUPERSEDES	DRAWING NO.	
CONTRACTOR:					11 - 14 - 08	ACC.DIF.	5 - 28 - 08	ABD-4675	