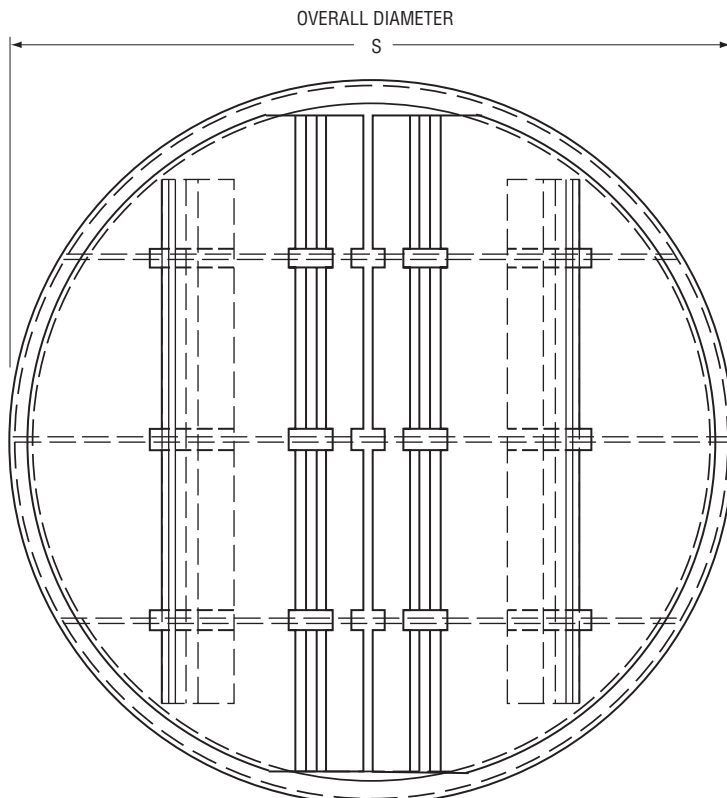
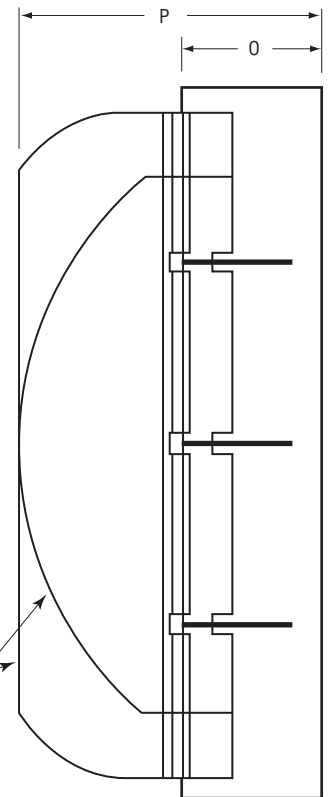




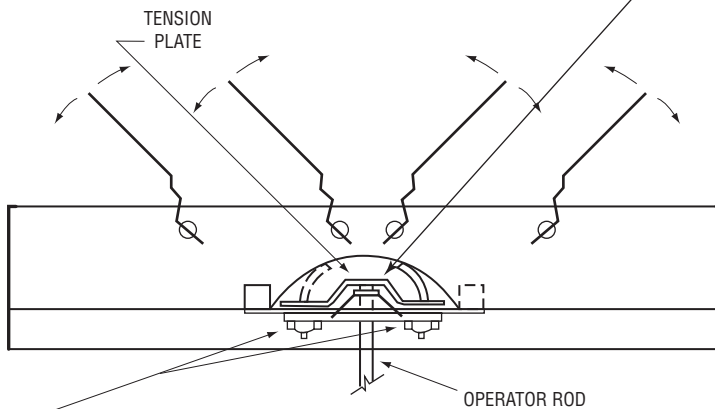
**AIR BALANCING DEVICE  
RADIAL OPPOSED BLADE DAMPER  
STEEL • FOR ROUND NECK DIFFUSERS  
MODEL: 4275 (18" DIA.)**



**TOP VIEW  
VALVES CLOSED**



OPPOSED BLADE  
DAMPER VALVES  
FULLY OPEN



**CROSS SECTION WITH VALVES PARTLY OPEN  
SHOWING OPPOSED BLADE OPERATION.**

IF OPERATOR IS TO BE REMOVED AFTER SETTING DAMPER, DO NOT DRIVE INTO TENSION PLATE AS THIS LOCKS ROD IN PLACE FOR PERMANENT INSTALLATION.

LOCK NUTS:  
LOOSEN BEFORE ADJUSTING DAMPER.  
TIGHTEN AFTER ADJUSTING DAMPER TO PROVIDE POSITIVE LOCK.

**DESCRIPTION:**

1. Material: Steel construction.
2. Screw or rivet to duct.
3. Opposed blade operation.
4. Finish: Black.

List Dia.	Imperial Modules			Metric Modules		
	Imperial Units (inches)			SI Units (mm)		
18"	S	O	P	S	O	P
	17 7/8	1 3/4	4 3/4	454	44	121

**SCHEDULE TYPE:**

**PROJECT:**

**ENGINEER:**

**CONTRACTOR:**

Dimensions are in inches (mm).

DATE	B SERIES	SUPERSEDES	DRAWING NO.
11 - 26 - 07	4200	8 - 30 - 05	ABD-4275-3