



AIR BALANCING DEVICE RADIAL OPPOSED BLADE DAMPER STEEL • FOR ROUND NECK DIFFUSERS MODEL: 4275 (5" - 16" DIA.)

DESCRIPTION:

A unique method of controlling volume through a diffuser providing premium design quality and performance. The multi-blade perimeter design offers true radial flow at any setting.

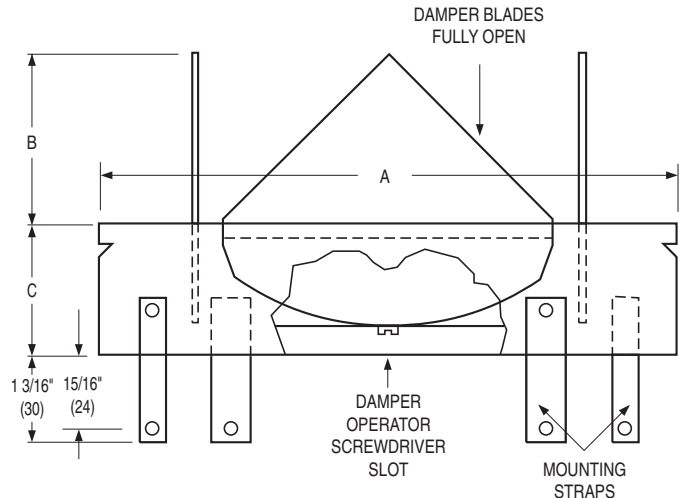
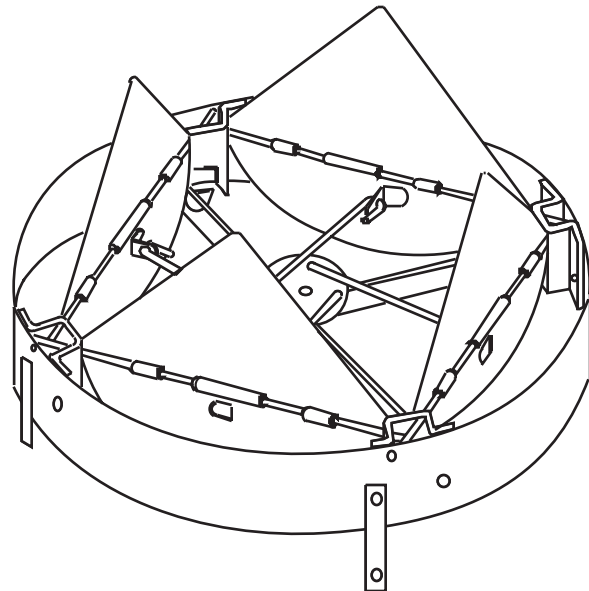
A screwdriver slot, accessible through the diffuser, requires only a half turn to adjust from fully closed to fully open. The damper is designed to fit directly on the neck of the diffuser. Simple convenient and accurate installation and operation.

OPERATION:

Size 5 through 8 are friction type. Use screwdriver and turn operator to adjust damper setting.

Size 10 through 16 use a detent mechanism to positively hold damper setting. Using screwdriver, lift up and turn operator to desired damper setting.

1. Material: Corrosion-resistant steel construction.
2. Damper mounts directly to diffuser collar.
3. Standard Finish: Mill.



	Nominal Size (inches)								Nominal Size (mm)							
	5	6	8	10	12	14	15	16	127	152	203	254	305	356	381	406
A	4 7/8	5 7/8	7 7/8	9 7/8	11 7/8	13 7/8	14 7/8	15 7/8	124	149	200	251	302	352	378	403
B	1 1/8	1 5/8	2 1/2	2 1/4	2 7/8	3 3/8	3 3/4	4 3/8	29	41	64	57	73	86	95	111
C	1 5/8				2 1/2				41				64			

SCHEDULE TYPE:

PROJECT:

ENGINEER:

CONTRACTOR:

Dimensions are in inches (mm).

DATE

B SERIES

SUPERSEDES

DRAWING NO.

8 - 29 - 05

ABD

3 - 1 - 02

ABD-4275-1