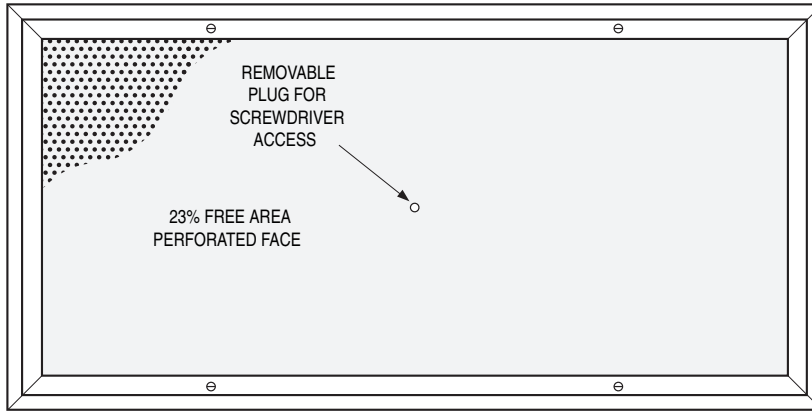
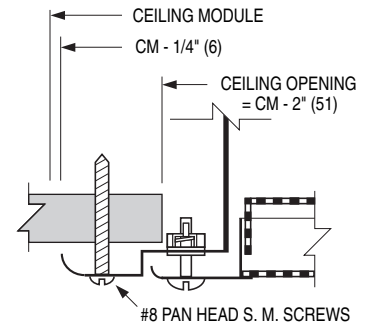




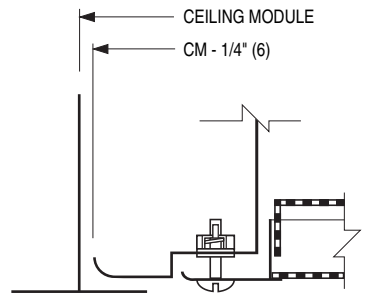
LAMINAR FLOW CEILING DIFFUSER
ALUMINUM • DUAL CHAMBER
CRITICAL ENVIRONMENT APPLICATIONS
MEDIUM CAPACITY DESIGN
MODEL: 92LFDM-AL



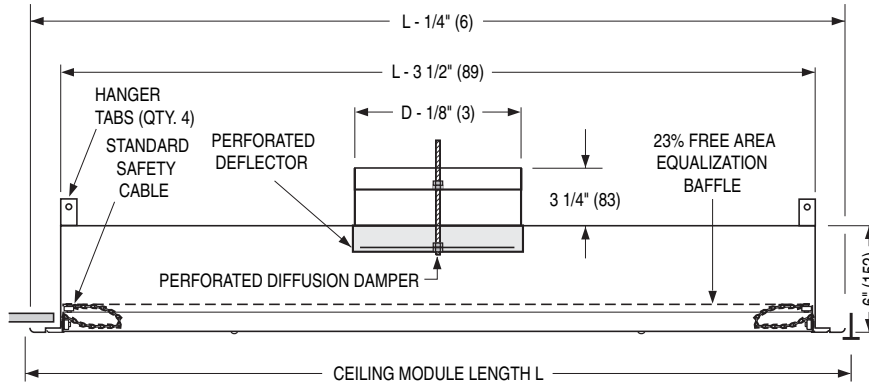
TYPE S Surface Mount Detail



TYPE L* Lay-in T-Bar Detail



*Compatible with all T-Bars up to 2" (51) wide.



Ceiling Module Sizes L x W & Nominal Round Duct Sizes D

L x W	Imperial Modules (inches)		48 x 12	60 x 12	72 x 12	24 x 24	36 x 24	48 x 24	60 x 24	72 x 24
	Metric Modules (mm)		1200 x 300	1500 x 300	1800 x 300	600 x 600	900 x 600	1200 x 600	1500 x 600	1800 x 600
Duct Size D	(inches)		8	10	10	8, 10, 12	10, 12, 14	10, 12, 14	12, 14, 16	14, 16, 18
	(mm)		203	254	254	203, 254, 305	254, 305, 356	254, 305, 356	305, 356, 406	356, 406, 457

DESCRIPTION:

The Model 92LFDM-AL Laminar Flow Diffuser is a medium capacity/airflow range design and produces a non-aspirating, low velocity vertical air pattern. Recommended face velocity range is 50 – 90 cfm/sq. ft.

Located above the work area they provide a controlled low velocity downward projection "piston" of conditioned supply air. The "dual chamber" design and internal baffles provide improved air distribution across the perforated diffuser face resulting in superior performance.

The only significant amount of room air entrainment occurs at the outer boundary of the laminar flow mass.

Applications include clean rooms such as research laboratories, animal labs, food processing, pharmaceutical labs and computer rooms where localized heavy cooling loads present a problem.

CONSTRUCTION:

1. Extruded aluminum frame, aluminum perforated face and equalization baffle with 3/32" (2.4) dia. holes on 60 degree 3/16" (5) staggered centers (23% free area). The face plate is removable for cleaning and is secured by 1/4 turn fasteners.
2. Corrosion resistant steel backpan, perforated inlet deflector ring and disk type damper. Damper adjustment through removable face plug.
3. Standard safety cables prevent accidental dropping of removable face.
4. Standard finish is AW Appliance White.

OPTIONS:

- AB Aluminum backpan, equalization baffle, deflector and damper.
- EX External foil-back insulation (installed) – R-4.2.

Finish:

- SP Special _____

SCHEDULE TYPE:

PROJECT:

ENGINEER:

CONTRACTOR:

Dimensions are in inches (mm).

DATE

B SERIES

SUPERSEDES

DRAWING NO.

10 - 29 - 15

9200

1 - 10 - 11

92LFDM-AL