

DESCRIPTION:

Nailor 92FFUM-RF-SS Reverse Flow Fan Filter Mobile Units have been designed to create a negative pressure environment and pull contaminants from the desired area. Exhaust air is ducted to outside the room. This portable version fan filter unit plugs into a standard electrical wall outlet and can be placed anywhere on the floor of the isolation room.

ECM technology provides an ultra-energy efficient design with the ability to precisely set a constant air volume. As filter loading increases fan external static pressure, the ECM will compensate to maintain set airflow.

Filters are secured within the plenum against a continuous knife edge that contacts the gel channel of the filter, providing a leak proof seal. Filters are protected by a perforated face, room-side removable via quarter-turn fasteners.

STANDARD FEATURES:

- 304 Stainless Steel fully welded cabinet. The perforated return grille face plate is removable for cleaning, filter replacement and is secured by 1/4 turn fasteners.
- LED fan operation indicator (on during normal operation).
- HEPA filter with gel seal (99.99% on 0.3 µm).
- Pre-filter.
- LFI Loaded filter indicator.
- High Efficiency ECM for precise constant airflow and field balancing. 120V/1PH/60Hz.
- Backward curved composite impeller - room side accessible.
- 12" (305) dia. outlet collar.
- Toggle disconnect switch.
- Face adjustable airflow control.
- Stainless Steel Push/Pull Handle.
- 4 Swivel Casters - (2) with Brakes.
- 10 Ft. Hospital Grade Cord with Plug.
- #4 Brushed Satin Polished finish.

EC Motor program:

- CF Constant Flow (with Airflow Sensor).
- CT Constant Torque.

OPTIONS:

- HEH High capacity HEPA filter.
- UL ULPA filter (99.9995% on 0.12 µm).
- ULH High capacity ULPA filter.
- SPP Face accessible Static Pressure Port.
- 14" (356) duct collar.
- High output antimicrobial UVC light. (See page 3).
- Auto-cleaning Ionization System. (Model GPS-FC24-AC) (Not FDA or CDC approved)

SCHEDULE TYPE:

PROJECT:

ENGINEER:

CONTRACTOR:

Page 1 of 3
 Dimensions are in inches (mm).

DATE

B SERIES

SUPERSEDES

DRAWING NO.

9 - 25 - 20

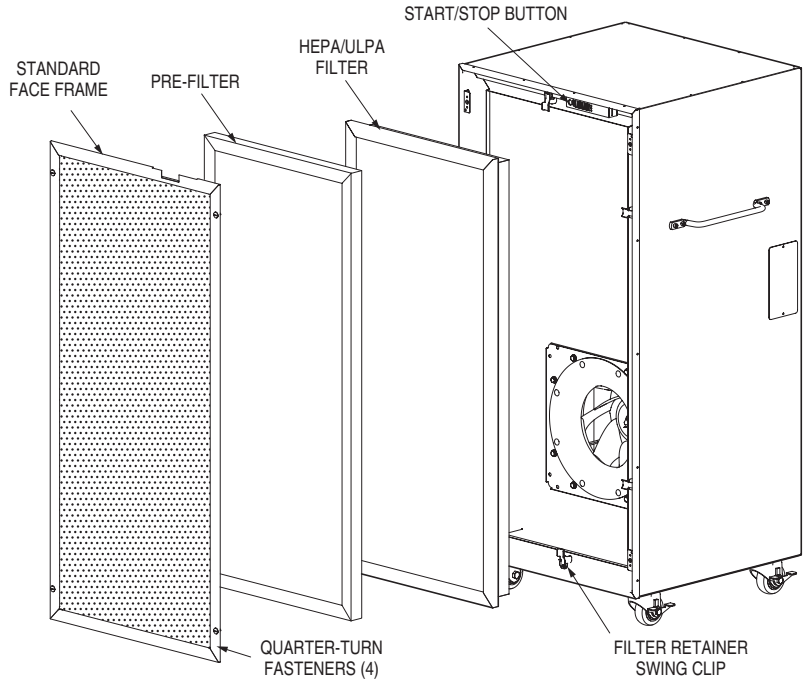
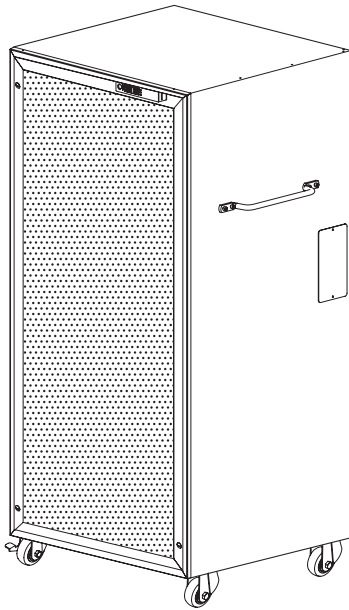
9200

8 - 17 - 20

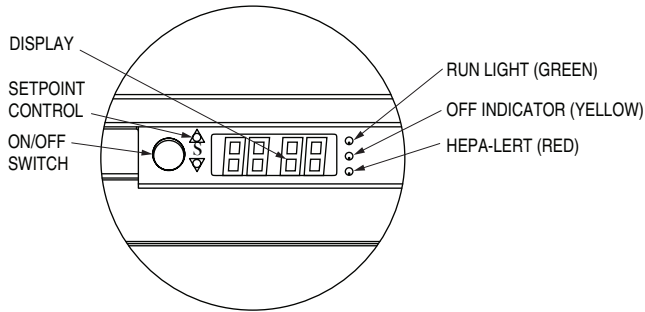
92FFUM-RF-SS



REVERSE FLOW FAN FILTER MOBILE UNIT
DUCTED EXHAUST • STAINLESS STEEL
ECM • HEPA/ULPA FILTER
MODEL: 92FFUM-RF-SS



LED VISUAL AIRFLOW DISPLAY



FILTER DATA

SIZE	TYPE	FLOW	FILTER SIZE W x H x D	RATED CFM
48 x 24	HEPA	High	43 1/2 x 19 1/2 x 3 1/2 (1105 x 495 x 89)	1200
	HEPA	Standard	43 1/2 x 19 1/2 x 2 7/8 (1105 x 495 x 73)	900

PERFORMANCE DATA FOR DUCTED UNITS WITH 12" OUTLET:
48 x 24 x 12 RD, High Flow Filter, at 0 Static, 120 VAC:

SET POINT %	CFM	CFM/ SQ. FT	WATTS	RPM
100%	930	179	237	2090
90%	806	155	174	1881
80%	672	129	120	1672
70%	545	105	81	1463
60%	415	80	50	1254
50%	292	56	32	1045
40%	183	35	17	836
30%	104	20	12	627
20%	34	7	8	418

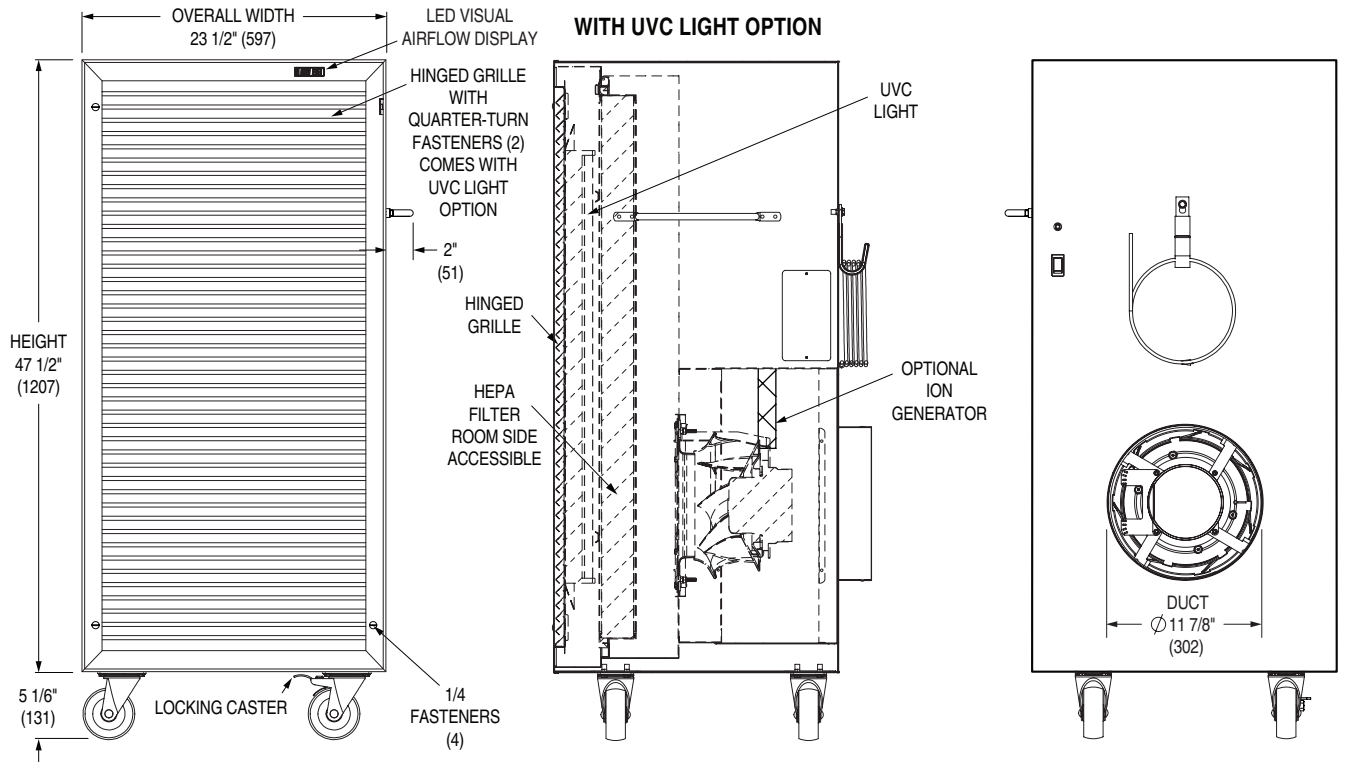
NOTE:

Tests performed with high-flow HEPA filter; no pre-filter.

SCHEDULE TYPE:
PROJECT:
ENGINEER:
CONTRACTOR:

Page 2 of 3
 Dimensions are in inches (mm).

DATE	B SERIES	SUPERSEDES	DRAWING NO.
9 - 25 - 20	9200	8 - 17 - 20	92FFUM-RF-SS



UVC LIGHT OPTION:

- High output antimicrobial UVC light (254 µm).
- No Vision / No Light Hinged Face Grille.
- Safety interlock switch. Cuts UVC light when grille face is opened.

SCHEDULE TYPE:		Page 3 of 3 Dimensions are in inches (mm).			
PROJECT:					
ENGINEER:	DATE	B SERIES	SUPERSEDES	DRAWING NO.	
CONTRACTOR:	9 - 25 - 20	9200	8 - 17 - 20	92FFUM-RF-SS	