

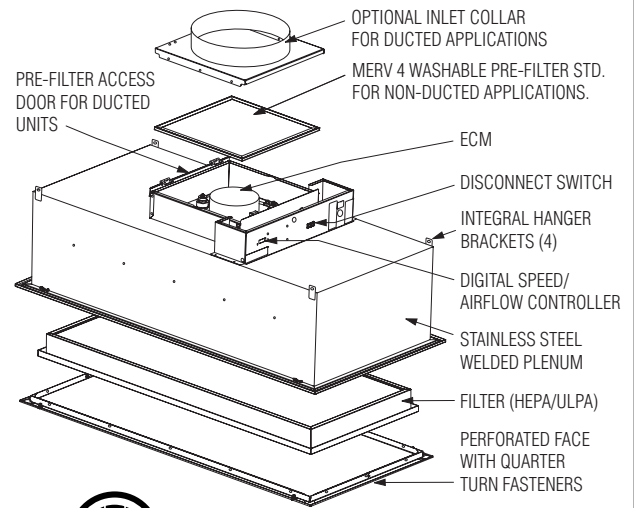
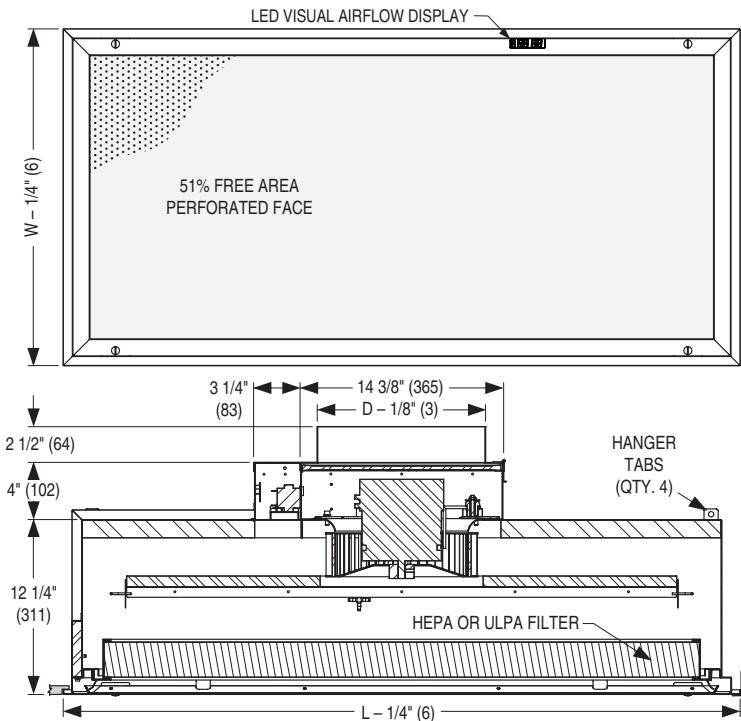


# FAN FILTER DIFFUSER

## CRITICAL ENVIRONMENT APPLICATIONS

### STAINLESS STEEL • ECM • HEPA OR ULPA FILTER

#### MODEL: 92FFD-SS



#### Ceiling Module Sizes

Ceiling Module Size		Inlet Size	
Imperial (inches)	Metric (mm)	Inches	(mm)
24 x 24	600 x 600	<b>Standard (Ductless)</b>	
		14 x 14	356 x 356
36 x 24	900 x 600	<b>Optional (Ducted)</b>	
		10, 12, 14	254, 305, 356
48 x 24	1200 x 600		

#### DESCRIPTION:

Nailor 92FFD-SS Series Fan Filter Diffusers are designed to supply HEPA/ULPA filtered air to a cleanroom environment. The units are intended for use in cleanroom applications such as microelectronics, pharmaceutical, biotechnology as well as aerospace manufacturing/assembly and laser/optic industries.

All 92FFD-SS series plenums consist of a robotically welded plenum and fan/motor assembly to ensure a repeatable, rigid, clean and near leak free design, meeting the most stringent of current leak tests.

ECM technology provides an ultra-energy efficient design with the ability to precisely set a constant air volume. As filter loading increases fan external static pressure, the ECM will compensate to maintain set airflow.

Filters are secured within the plenum against a continuous knife edge that contacts the gel channel of the filter, providing a leak proof seal. Filters are protected by a perforated face, room-side-removable via quarter turn fasteners.

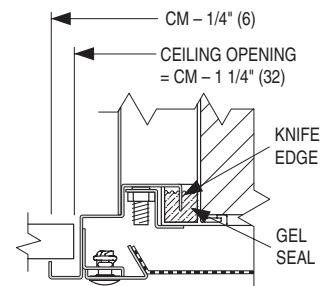
#### STANDARD FEATURES:

- 304 Stainless Steel frame and perforated face with 3/16" (5) dia. holes on 60° 1/4" (6) staggered centers (51% free area). The face plate is removable for cleaning, filter replacement and is secured by 1/4 turn fasteners.
- 304 Stainless Steel fully welded plenum.
- Internal Urethane Foam insulation to reduce sound levels.
- Heavy duty hanger brackets.
- LED fan operation indicator (on during normal operation).
- #4 Brushed Satin Polished finish.
- Two Stainless Steel safety cables to prevent accidental dropping of removable face.
- High Efficiency ECM for precise constant airflow and field balancing. Available: 120V/1PH/60Hz, 208V/1PH/60Hz, 240V/1PH/60Hz and 277V/1PH/60Hz.
- Digital speed controller with airflow readout.
- Face accessible SPP.
- HEPA filter (99.99% on 0.3 µm).
- PAO scan tested to IEST RP Standards.
- QF Toggle disconnect switch.
- ETL Listed and Tested to UL 507 Standard.
- Face adjustable airflow control.

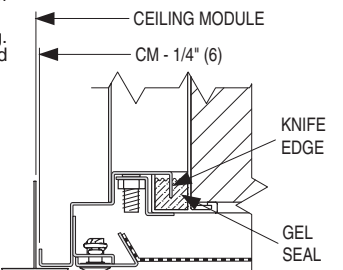
#### OPTIONS:

- 316 Stainless Steel construction.
- UL ULPA Filter (99.9995% on 0.12 µm).
- FBO Filter by others.
- CF Constant Flow EC Motor Program is standard (default).
- CT Constant Torque EC Motor Program is optional.
- RMB Room side removable motor/blower.
- RMBC Room side removable motor/blower/controls.
- PFM4 MERV 4 washable prefilter. (Std. for non-ducted app.).
- LFI Loaded Filter Indicator Package (factory mounted and wired).
- CPM DOP/PAO Challenge Port and Manifold.
- WMK Wall Mount Speed Control Kit.
- HHRC Hand Held Remote Control.
- STC Scan Testing Certificate
- 10" (254) or  12" (305) or  14" (356) Duct Collar.
- Finish:
  - AW Appliance White Epoxy-Polyester Powder Coat
  - SP Special \_\_\_\_\_

#### TYPE S Surface Mount Detail



#### TYPE L Lay-in T-Bar Detail

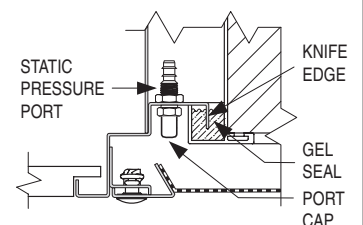


\* COMPATIBLE WITH T-BARS UP TO 1 1/2" (38) WIDE

(Standard) 1 1/2" (38) wide.

L20 (Optional) 2" (51) wide.

#### SPP Standard



Dimensions are in inches (mm).

#### SCHEDULE TYPE:

PROJECT:

ENGINEER:

CONTRACTOR:

DATE

B SERIES

SUPERSEDES

DRAWING NO.

9 - 10 - 20

9200

1 - 2 - 20

92FFD-SS