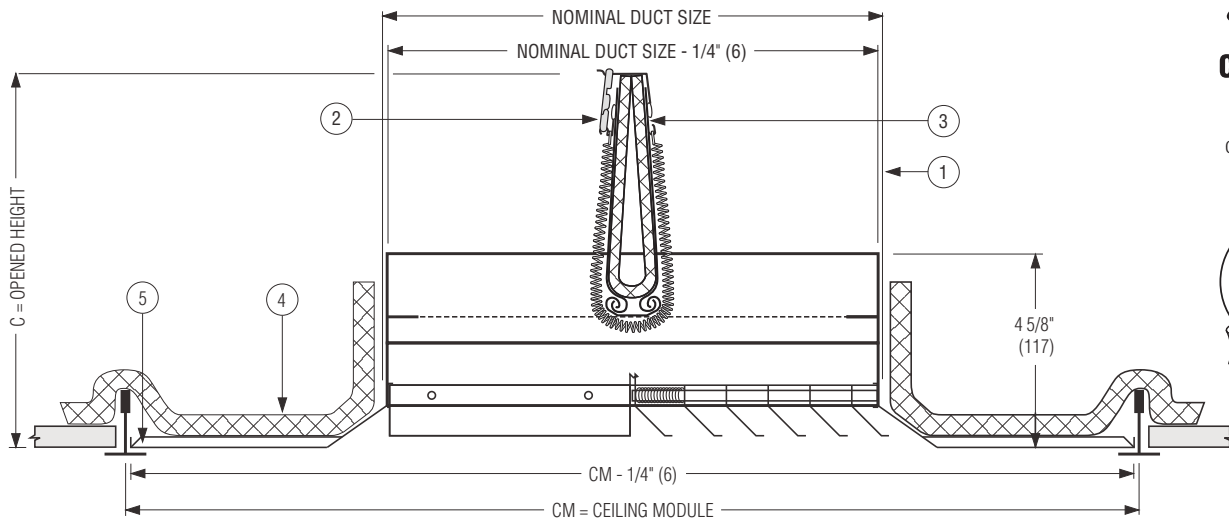




FIRE RATED MODULAR CORE CEILING DIFFUSER
 1, 2, 3 OR 4-WAY ADJUSTABLE DISCHARGE PATTERN
 STEEL • SQUARE NECK
 MODEL: 7500FRD



CATEGORY
CABS & CABS7



Dimensional Data and Sizing Availability:

Ceiling Module CM	Nominal Duct Size (square)	Opening Height C
		Standard
12 x 12	6 x 6	5 3/4
	8 x 8	6 3/4
	9 x 9	7 1/4
24 x 24	6 x 6	5 3/4
	8 x 8	6 3/4
	9 x 9	7 1/4
	10 x 10	7 3/4
	12 x 12	9
	14 x 14	9 3/4
	15 x 15	10 1/4
16 x 16	10 3/4	
18 x 18	11 3/4	
20 x 20	12 3/4	

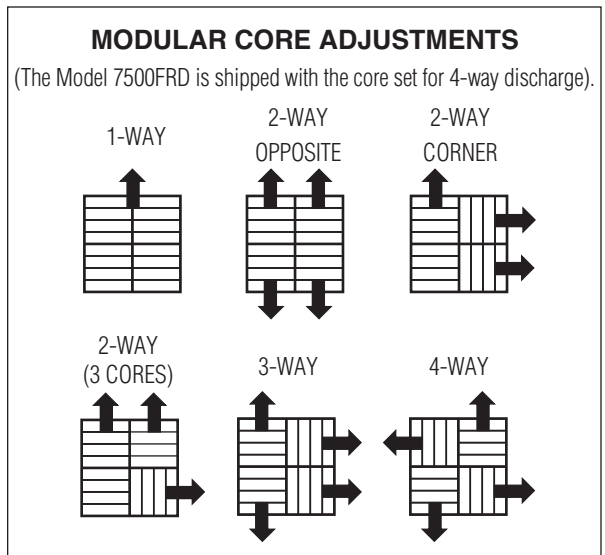
Note: If square ceiling module is more than 3" (76) larger than the square neck (core/back pan), a module sized extended panel is utilized.

ITEMS:

1. Steel duct drop (by others).
2. U.L. Listed fusible link. 212°F (100°C) standard.
3. Ceiling radiation damper (Model 0716).
4. Ceramic fibre thermal blanket accessory (Model 0726).
5. Corrosion resistant steel diffuser.

DESCRIPTION:

1. All models are classified for use in UL/ULC restrained or unrestrained floor/ceiling and or roof/ceiling assemblies which incorporate an exposed grid suspended ceiling (lay-in T-bar) with up to a 3 hour rating. For details of fire rated assemblies, see the current UL or ULC Fire Resistance Directory.
2. The diffuser consists of four spring loaded modular cores that may be simply adjusted by rotating each module after installation to provide a 1, 2, 3 or 4-way blow pattern. A tight horizontal air pattern from maximum to minimum flow makes it ideal for VAV applications.



3. The fixed radiation damper is standard. The AV adjustable option is not available on this model as the core restricts access. Balancing should be performed by installing a remote damper in the duct take-off.
4. Standard finish is AW Appliance White.

OPTIONS:

1. Non-standard temperature U.L. Listed fusible link.
 165°F (74°C)
2. Finish:
 SP Special. Specify _____.

For installation instructions, see IOM-CRSDINST or IOM-CRDTBINST.

SCHEDULE TYPE:	Dimensions are in inches (mm).			
PROJECT:				
ENGINEER:	DATE	B SERIES	SUPERSEDES	DRAWING NO.
CONTRACTOR:	11 - 24 - 16	7500FRD	5 - 11 - 15	7500FRD-1