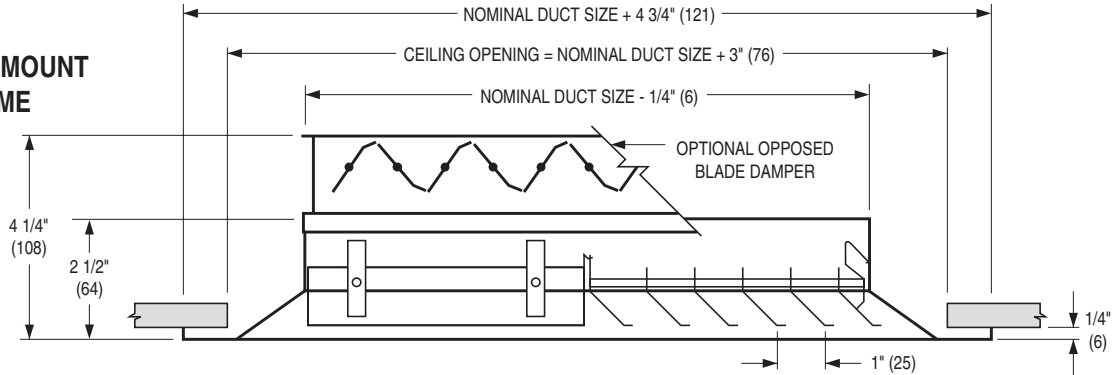


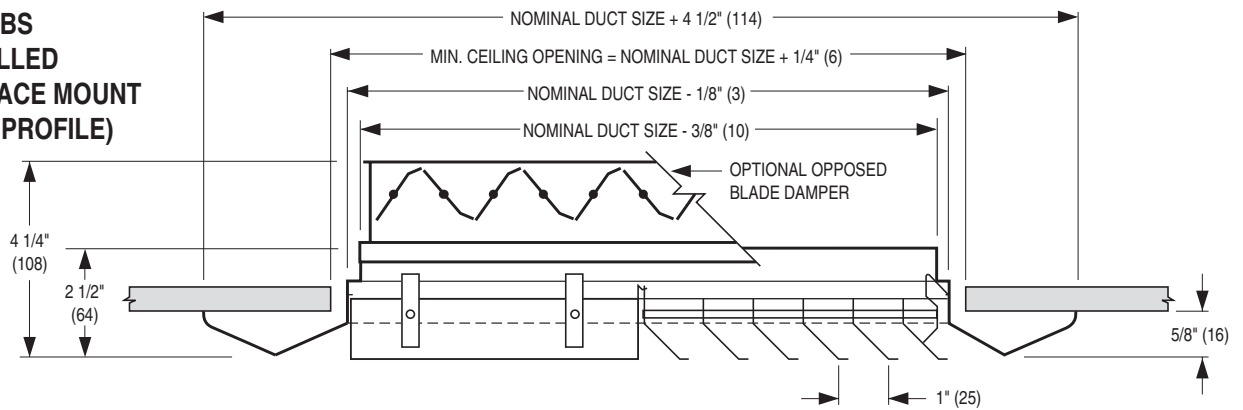


MODULAR CORE CEILING DIFFUSER
 1, 2, 3 OR 4-WAY ADJUSTABLE DISCHARGE
 PATTERN • SQUARE NECK • STEEL
MODELS: 7500 AND 7500-O TYPES S & BS

TYPE S
SURFACE MOUNT
FLAT FRAME



TYPE BS
BEVELLED
SURFACE MOUNT
(LOW PROFILE)



DESCRIPTION:

1. Material: Heavy gauge corrosion-resistant steel.
2. Model 7500 is a versatile ceiling diffuser. It consists of four spring loaded modular cores that may be simply adjusted by rotating each module after installation to provide a 1, 2, 3 or 4-way blow pattern. A tight horizontal air pattern from maximum to minimum flow makes it ideal for VAV applications.
3. Standard finish is AW Appliance White.

OPTIONS:

SQUARE NECK

- Steel opposed blade damper - Model 7500-O

ROUND NECK

- SQR Square to round transition collar
 SQR-O Square to round transition collar for use over opposed blade damper.

_____ round neck size (inches)

- 4275 Radial damper
 4250 Radial sliding blade damper
 4675 Butterfly damper

OPTIONAL FINISH:

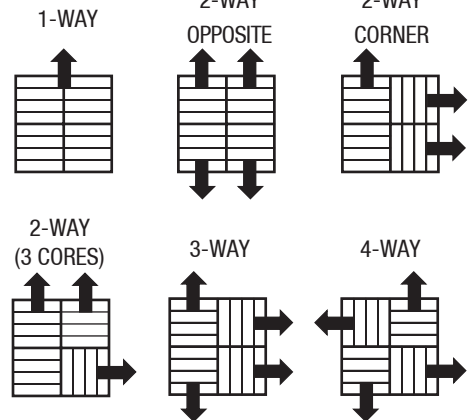
- SP Special. Specify _____.

Available Duct Sizes

6 x 6 (152 x 152)	10 x 10 (254 x 254)	15 x 15 (381 x 381)	20 x 20 (508 x 508)
8 x 8 (203 x 203)	12 x 12 (305 x 305)	16 x 16 (406 x 406)	22 x 22 (559 x 559)
9 x 9 (229 x 229)	14 x 14 (356 x 356)	18 x 18 (457 x 457)	24 x 24 (610 x 610)

MODULAR CORE ADJUSTMENTS

(The Model 7500 is shipped with the core set for 4-way discharge).



SCHEDULE TYPE:

PROJECT:

ENGINEER:

CONTRACTOR:

Dimensions are in inches (mm).

DATE	B SERIES	SUPERSEDES	DRAWING NO.
9 - 8 - 21	7500	5 - 11 - 15	7500-1