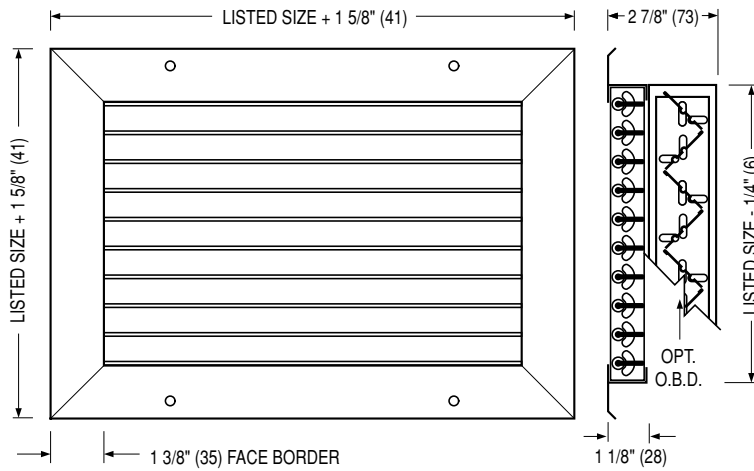


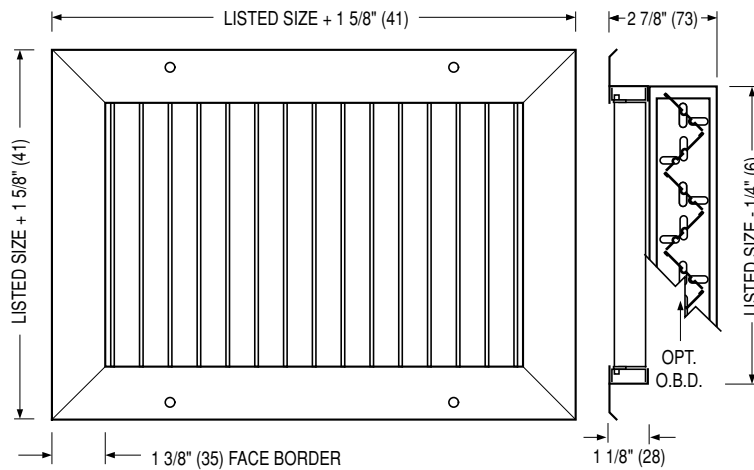


STAINLESS STEEL SUPPLY GRILLES & REGISTERS
SINGLE DEFLECTION • ADJUSTABLE
MODELS: 67SH(-O) AND 67SV(-O) TYPE S



MODEL 67SH
 Single Deflection Grille
 Horizontal Blades

MODEL 67SH-O
 Single Deflection Register
 Horizontal Blades
 (Includes O. B. Damper)



MODEL 67SV
 Single Deflection Grille
 Vertical Blades

MODEL 67SV-O
 Single Deflection Register
 Vertical Blades
 (Includes O. B. Damper)

DESCRIPTION:

1. Construction: Type 304 stainless steel welded and reinforced frame features hairline mitered corners. A single set of streamlined shaped grille blades on 3/4" (19) centers provide air control in a single plane. Blades are individually pivoted to ensure positive positioning when adjusted to desired deflection setting.
2. Optional roll-formed Type 304 stainless steel opposed blade damper has a screw driver operator accessible through face of register.
3. Minimum size is 4" x 4" (102 x 102).
Maximum size is 60" x 48" (1524 x 1219).
4. Type S Surface mount standard frame has a 1 3/8" (35) face border.
5. Standard fastening is Type A countersunk screw holes.
6. Standard finish is #4 Brushed Satin Polished.

OPTIONS:

1. Construction:
 - 316 Type 316 stainless steel.
2. Finish:
 - AW Appliance White.
 - SP Special _____ .
3. PFS Stainless Steel Plaster frame
4. Other _____ .

SCHEDULE TYPE:

PROJECT:

ENGINEER:

CONTRACTOR:

Dimensions are in inches (mm).

DATE

B SERIES

SUPERSEDES

DRAWING NO.

5 - 11 - 15

6700

9 - 22 - 11

6700-1