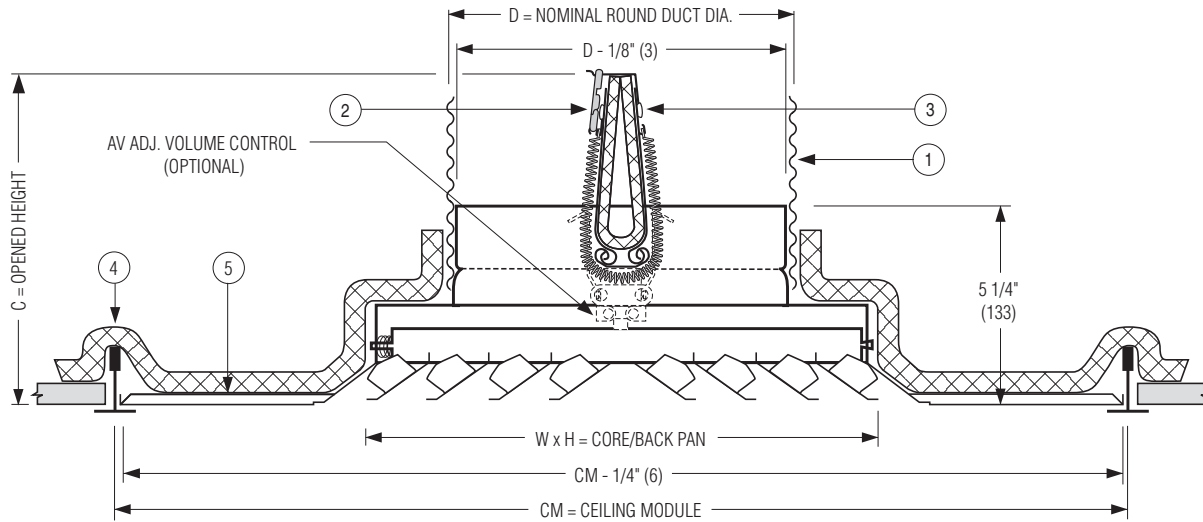




FIRE RATED PATTERN CEILING DIFFUSER
STEEL • ROUND NECK • INDUCTION VANES
MODEL: 6505IVFRD



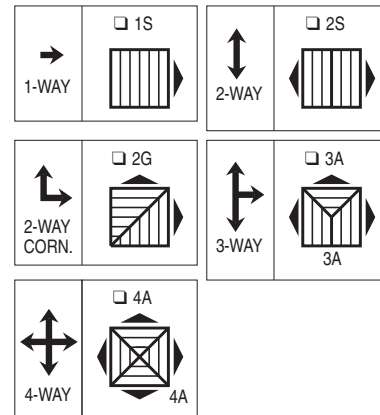
CLASSIFIED
 C UL US
 CATEGORY
 CABS & CABS7



Dimensional Data and Sizing Availability:

Ceiling Module	Core / Back Pan	Round Neck	Opened Height
CM	W x H	D	C
12 x 12	9 x 9	6	6 1/2
		8	7 1/2
24 x 24	9 x 9	6	6 1/2
		8	7 1/2
	12 x 12	8	7 1/2
		10	8 1/2
15 x 15	15 x 15	10	8 1/2
		12	9 1/2
18 x 18	18 x 18	14	10 1/2
		12	9 1/2
		14	10 1/2

Core Selection



Note: If square ceiling module is more than 3" (76) larger than the duct size, a module sized extended panel is utilized.

ITEMS:

1. Flexible air duct (UL Class 0 or 1) connector or steel duct.
2. U.L. Listed fusible link. 212°F (100°C) standard.
3. Ceiling radiation damper (Model 0722).
4. Ceramic fibre thermal blanket accessory (Model 0725).
5. Corrosion resistant steel diffuser.

DESCRIPTION:

1. All models are classified for use in UL/ULC restrained or unrestrained floor/ceiling and or roof/ceiling assemblies which incorporate an exposed grid suspended ceiling (lay-in T-bar) with up to a 3 hour rating. For details of fire rated assemblies, see the current UL or ULC Fire Resistance Directory.
2. A high capacity ceiling diffuser available in 1, 2, 3 or 4-way blow patterns to provide a tight horizontal air flow pattern from maximum to minimum air flow. Induction vanes cause air to emerge from each louver at alternating angles, producing high induction rates and rapid temperature equalization. Ideal for VAV applications.

3. Spring-loaded removable core.
4. The fixed radiation damper is standard. The adjustable ceiling radiation damper (Model 0722A) with volume control for balancing is optional.
5. Standard finish is AW Appliance White.

OPTIONS:

1. AV Fusible link adjustable volume control (Model 0722A damper)
2. Non-standard temperature U.L. Listed fusible link.
 165°F (74°C)
3. Finish:
 SP Special. Specify _____.

For installation instructions, see IOM-CRSDINST or IOM-CRDTBINST.

SCHEDULE TYPE:

PROJECT:

ENGINEER:

CONTRACTOR:

Dimensions are in inches (mm).

DATE	B SERIES	SUPERSEDES	DRAWING NO.
11 - 24 - 16	6500FRD	5 - 11 - 15	6500FRD-6