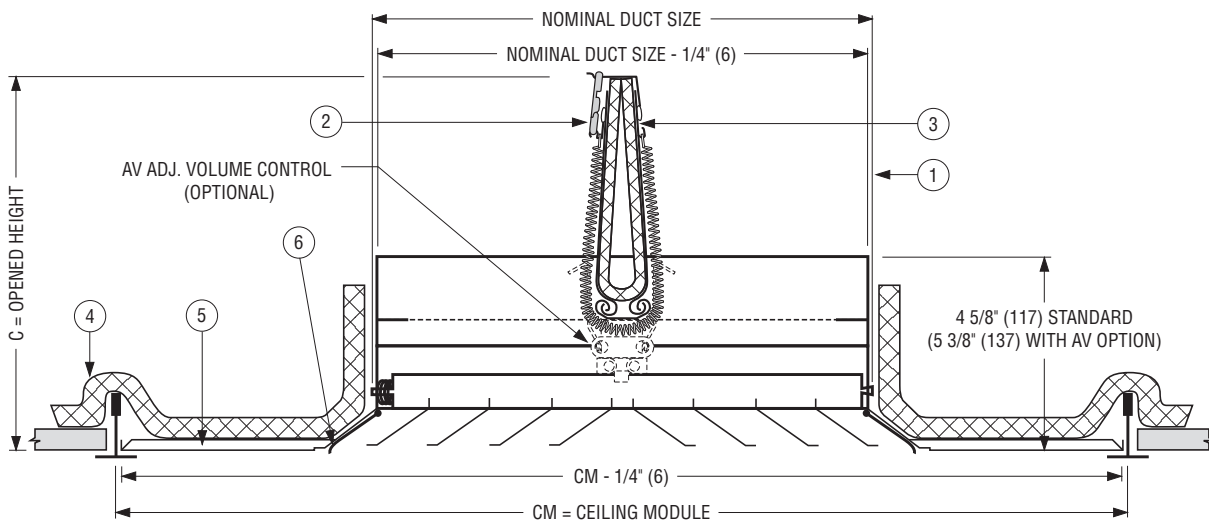




**FIRE RATED PATTERN CEILING DIFFUSER**  
**ADJUSTABLE VANES • STEEL • SQUARE NECK**  
**MODEL: 6550FRD**



CATEGORY  
CABS & CABS7



**Dimensional Data and Sizing Availability:**

Ceiling Module CM	Nominal Duct Size (square)	Opening Height C	
		Standard	With AV Option
12 x 12	6 x 6	5 3/4	6 1/2
	9 x 9	7 1/4	8
24 x 24	6 x 6	5 3/4	6 1/2
	9 x 9	7 1/4	8
	12 x 12	9	9 3/4
	15 x 15	10 1/4	11
	18 x 18	11 3/4	N/A
	21 x 21	13 1/4	N/A

Note: If square ceiling module is more than 3" (76) larger than the duct size, a module sized extended panel is utilized.

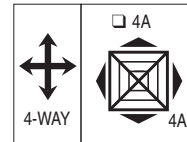
**ITEMS:**

1. Steel duct drop (by others).
2. U.L. Listed fusible link. 212°F (100°C) standard.
3. Ceiling radiation damper (Model 0716).
4. Ceramic fibre thermal blanket accessory (Model 0726).
5. Corrosion resistant steel diffuser.
6. Adjustable vane.

**DESCRIPTION:**

1. All models are classified for use in UL/ULC restrained or unrestrained floor/ceiling and or roof/ceiling assemblies which incorporate an exposed grid suspended ceiling (lay-in T-bar) with up to a 3 hour rating. For details of fire rated assemblies, see the current UL or ULC Fire Resistance Directory.
2. A high capacity ceiling diffuser available in a 4-way blow pattern as standard. It provides a tight horizontal air flow pattern from maximum to minimum air flow. Ideal for VAV applications. The unit is provided with independent movable vanes on all four sides to provide a horizontal to vertical throw adjustable discharge.

**Core Selection**



Model 6550FRD is available in core style 4A only.

3. Spring-loaded removable core.
4. The fixed radiation damper is standard. The adjustable ceiling radiation damper (Model 0716A) with volume control for balancing is optional.
5. Standard finish is AW Appliance White.

**OPTIONS:**

1.  AV Fusible link adjustable volume control (Model 0716A damper). Maximum square duct size is 15 x 15 (381 x 381).
2. Non-standard temperature U.L. Listed fusible link.  165°F (74°C)
3. Finish:  WH Off-white  SP Special

For installation instructions, see IOM-CRDSINST or IOM-CRDTBINST.

<b>SCHEDULE TYPE:</b>	Dimensions are in inches (mm).			
<b>PROJECT:</b>				
<b>ENGINEER:</b>	<b>DATE</b>	<b>B SERIES</b>	<b>SUPERSEDES</b>	<b>DRAWING NO.</b>
<b>CONTRACTOR:</b>	11 - 24 - 16	6500FRD	5 - 11 - 15	6500FRD-2