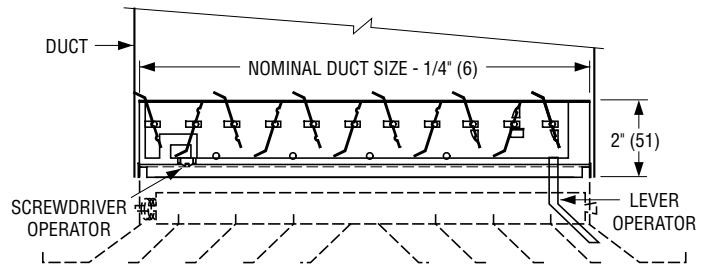


**OPPOSED BLADE DAMPER**

Corrosion-resistant steel. 22 ga. roll-formed frame and blade.

- Model OBD Type SL Screwdriver slot operator
- Model OBD Type L Lever operator

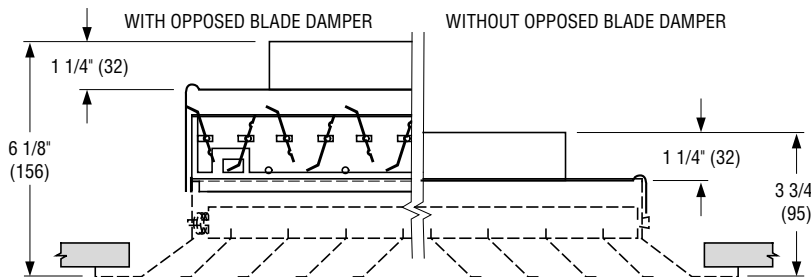
Type SL requires diffuser face removal for access.  
 Type L can be adjusted without removing core.


**SQUARE-TO-ROUND TRANSITION COLLAR**

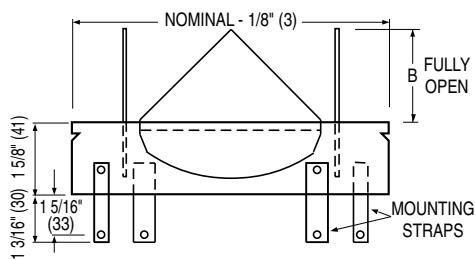
- Model SR (for use with optional round neck damper)
- Model SR-O (for use over opposed blade damper)

CONSTRUCTION:  
 22 ga. corrosion-resistant steel.

SQUARE NECK SIZE (INCHES)	ROUND NECK SIZE (INCHES)
6 x 6	4, 5, 6
8 x 8	4, 5, 6, 7, 8
9 x 9	6, 7, 8, 9
10 x 10	6, 7, 8, 9, 10
12 x 12	6, 8, 9, 10, 12
14 x 14	6, 8, 9, 10, 12, 14
15 x 15	6, 8, 10, 12, 14, 15
16 x 16	6, 8, 10, 12, 14, 15, 16
18 x 18	6, 8, 10, 12, 14, 15, 16, 18
20 x 20	6, 8, 10, 12, 14, 15, 16, 18, 20
21 x 21	6, 8, 10, 12, 14, 15, 16, 18, 20
22 x 22	6, 8, 10, 12, 14, 16, 18, 20
24 x 24	6, 8, 10, 12, 14, 15, 16, 18, 20, 22, 24

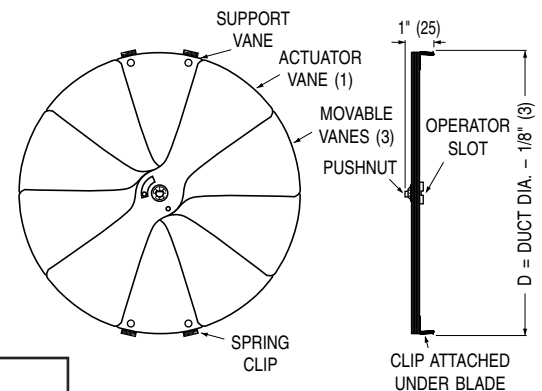

**ROUND NECK DAMPERS**

- Model 4275 Radial Damper



		NOMINAL SIZE						
B		6	8	10	12	14	15	16
	4275	1 5/8 (41)	2 1/2 (64)	2 1/4 (57)	2 7/8 (73)	3 3/8 (86)	3 3/4 (95)	4 3/8 (111)

- Model 4250 Radial Sliding Blade Damper



Available Sizes: 6", 8", 10" and 12"  
 (152, 203, 254 and 305) dia..

**SCHEDULE TYPE:**
**PROJECT:**
**ENGINEER:**
**CONTRACTOR:**

Dimensions are in inches (mm).

DATE	B SERIES	SUPERSEDES	DRAWING NO.
7 - 10 - 15	6500	2 - 13 - 06R	6500-8