

OPPOSED BLADE DAMPER

Corrosion-resistant steel. 22 ga. roll-formed frame and blade.

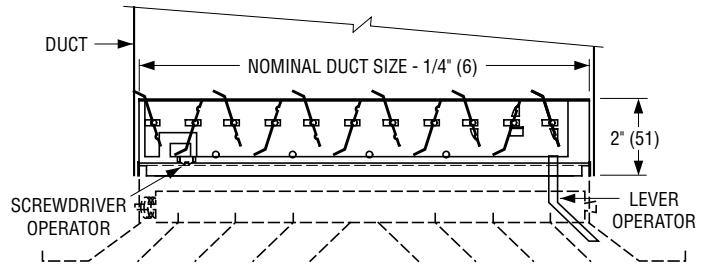
- Model OBD Type SL Screwdriver slot operator
- Model OBD Type L Lever operator

Aluminum construction.

- Model OBD-A Type SL Screwdriver slot operator

Type SL requires diffuser face removal for access.

Type L can be adjusted without removing core.

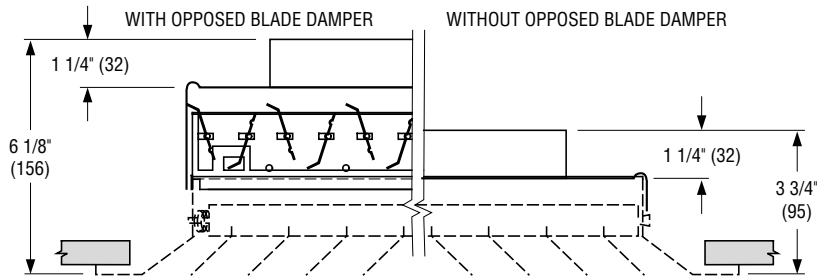

SQUARE-TO-ROUND TRANSITION COLLAR

- Model SR (for use with optional round neck damper)
- Model SR-O (for use over opposed blade damper)

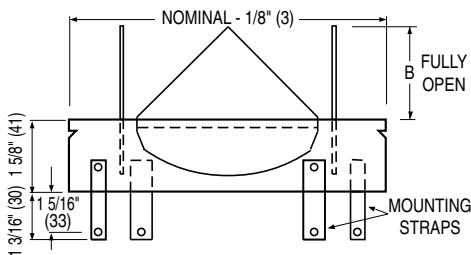
CONSTRUCTION:

22 ga. corrosion-resistant steel.

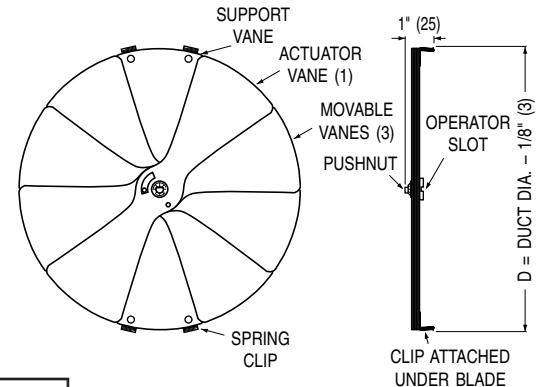
SQUARE NECK SIZE (INCHES)	ROUND NECK SIZE (INCHES)
6 x 6	4, 5, 6
9 x 9	6, 7, 8, 9
12 x 12	6, 8, 9, 10, 12
15 x 15	6, 8, 10, 12, 14, 15
18 x 18	6, 8, 10, 12, 14, 15, 16, 18
21 x 21	6, 8, 10, 12, 14, 15, 16, 18, 20


ROUND NECK DAMPERS

- Model 4275 Radial Damper



- Model 4250 Radial Sliding Blade Damper



		NOMINAL SIZE						
B		6	8	10	12	14	15	16
4275		1 5/8 (41)	2 1/2 (64)	2 1/4 (57)	2 7/8 (73)	3 3/8 (86)	3 3/4 (95)	4 3/8 (111)

 Available Sizes: 6", 8", 10" and 12"
 (152, 203, 254 and 305) dia..

SCHEDULE TYPE:
PROJECT:
ENGINEER:
CONTRACTOR:

Dimensions are in inches (mm).

DATE	B SERIES	SUPERSEDES	DRAWING NO.
5 - 11 - 15	6400	2 - 13 - 06R	6400-7