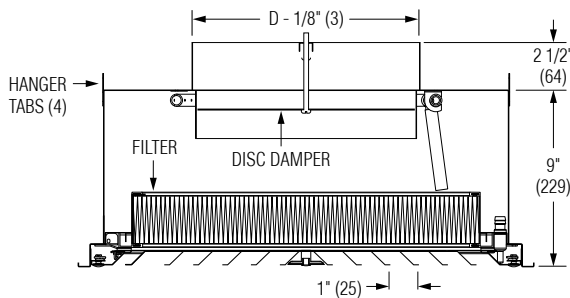
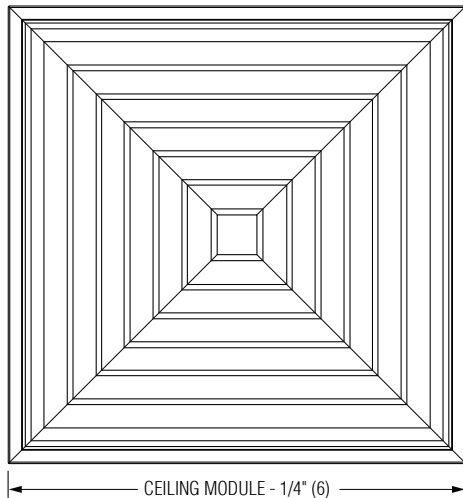


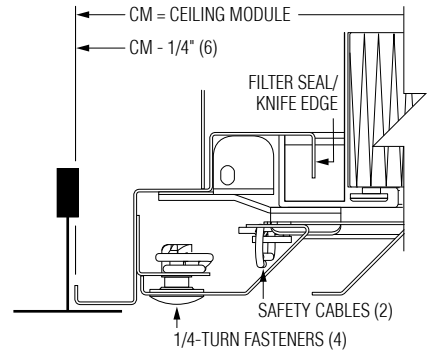


**LOUVERED FACE DIFFUSER WITH HIGH EFFICIENCY FILTER • DOP SCAN TESTED**  
**ALUMINUM • CRITICAL ENVIRONMENT APPLICATIONS**  
**MODEL: 6200F**



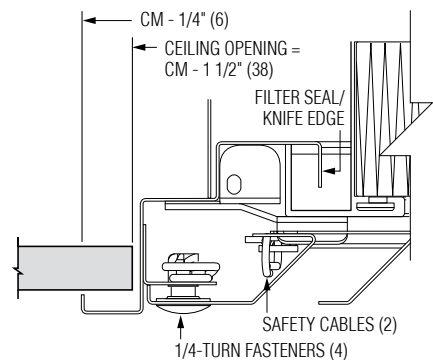
**TYPE L Lay-In T-Bar**

Compatible with T-Bars up to 1 1/2" (38) wide



**TYPE S Surface Mount**

Mounting holes, channel, fastener and sealing by others



**Available Ceiling Module Sizes**

Ceiling Module	Duct Size D
24 x 24 (610 x 610)	10 (254)
48 x 24 (1219 x 610)	12 (305)

**DESCRIPTION:**

The Nailor 6200F is a high capacity louvered face directional diffuser with a replaceable HEPA filter for cleanroom applications. The diffuser produces a four-way horizontal air pattern. Ideal applications include anterooms in biotechnology research and pharmaceutical manufacturing where large volumes of clean air are required to purge contaminants from the space.

**STANDARD CONSTRUCTION:**

Aluminum removable face secured with 1/4-turn fasteners and retained with two stainless steel safety cables. Extended plenum with integral filter rack to accommodate HEPA filter. Plenum is welded, sealed and factory scan tested for leaks in accordance with EST-RP-CC034.3.

The standard adjustable disc damper is accessible through a port in the HEPA filter. The disc damper diffuses the air and increase filter life.

Replaceable gel seal HEPA filter with clear anodized frame and port for optional damper adjustment. 2" (51) pleated media. 99.99% efficiency @ 0.3 μm. Packaged and shipped separately for field installation (by others).

Finish: AW Appliance White.

**OPTIONS:**

- 304 Type 304 stainless steel construction (#4 Satin finish).
- BDS Butterfly damper.
- BDSR Butterfly damper with remote cable operator.
- SPP Static pressure test / DOP port.
- CPM Challenge port and manifold.
- LFI Loaded filter indicator (24 volt).
- EX External foil back insulation. 1.5" (30) thick.
- UL ULPA filter (99.995% @ 0.12 μm).

**SCHEDULE TYPE:**

**PROJECT:**

**ENGINEER:**

**CONTRACTOR:**

Dimensions are in inches (mm).

DATE	B SERIES	SUPERSEDES	DRAWING NO.
6 - 15 - 21	6200	NEW	6200F