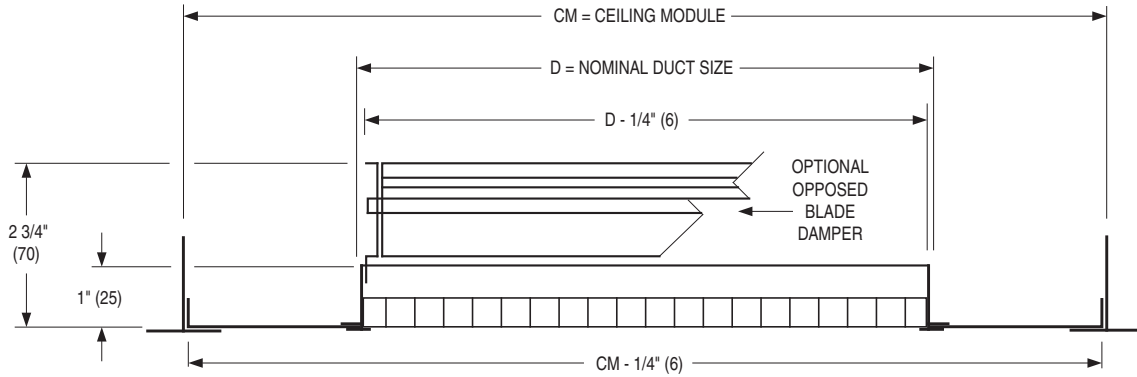




EGGCRATE RETURN GRILLES & REGISTERS
 ALUMINUM CORE • STEEL FRAME
 PANEL MOUNTED • LAY-IN T-BAR
 MODELS: 61EC(-O) TYPE PLS

FOR LAY-IN T-BAR TYPE CEILING SYSTEMS



AVAILABLE CEILING MODULE SIZES		
Imperial Modules		Metric Modules
Imperial Units (in.)	Metric Units (mm)	S.I. Units (mm)
12 x 12	305 x 305	300 x 300
24 x 12	610 x 305	600 x 300
36 x 12	914 x 305	900 x 300
48 x 12	1219 x 305	1200 x 300
20 x 20	508 x 508	500 x 500
24 x 24	610 x 610	600 x 600
36 x 24	914 x 610	900 x 600
48 x 24	1219 x 610	1200 x 600

Maximum Duct/Neck Size D = Ceiling Module - 3" (76)

- MODEL 61EC** Eggcrate Return Air Grille
Type PLS Steel Panel
- MODEL 61EC-O** Eggcrate Return Air Register
(Includes O. B. Damper)
Type PLS Steel Panel

DESCRIPTION:

1. Material: Aluminum core with corrosion-resistant steel frame mounted in an extended panel.
2. Models 61EC and 61EC-O Type PLS have been specially designed for high capacity (90% free area) return air applications and to integrate with and compliment standard exposed grid T-Bar suspended ceiling systems. The return grille or register is mechanically assembled and using a special frame captures the module sized panel, which eliminates welding and assures a clean smooth blemish free painted finish.
3. 1/2" x 1/2" x 1/2" (13 x 13 x 13) aluminum grid core standard (code CA).
4. Optional roll-formed steel opposed blade damper has a screwdriver slot operator accessible through face of register.
5. Standard finish is AW Appliance White.

OPTIONS:

1. Finish:
 - SP Special _____
2. Non-standard core:
 - CB 1/2" x 1/2" x 1" (13 x 13 x 25)
 - CC 1" x 1" x 1" (25 x 25 x 25)

SCHEDULE TYPE:	
PROJECT:	
ENGINEER:	
CONTRACTOR:	

Dimensions are in inches (mm).

DATE	B SERIES	SUPERSEDES	DRAWING NO.
2 - 1 - 11	6100	NEW	61EC-3