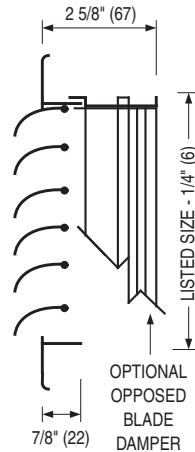
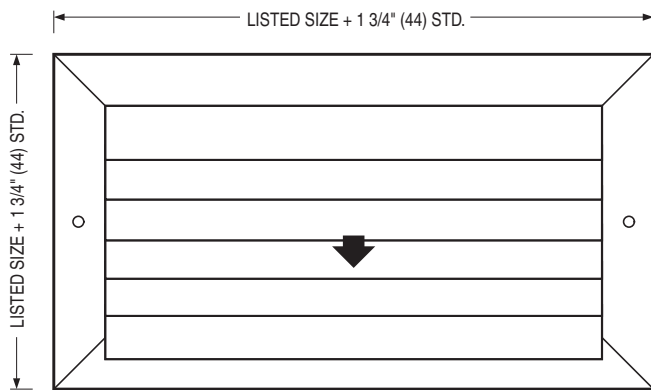


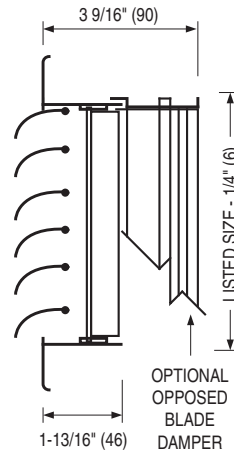
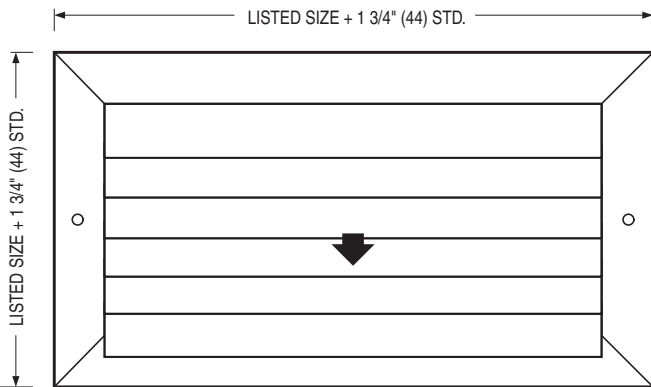


**STEEL CURVED BLADE
GRILLES & REGISTERS
ONE-WAY DISCHARGE PATTERN
MODELS: 61C(-O) AND 61CD(-O) TYPE S**



MODEL 61C
Curved Blade Grille
1-Way Discharge Pattern



MODEL 61C-O
Curved Blade Register
1-Way Discharge Pattern
(Includes O. B. Damper)



MODEL 61CD
Curved Blade Grille with
rear directional vanes
1-Way Discharge Pattern

MODEL 61CD-O
Curved Blade Register with
rear directional vanes
1-Way Discharge Pattern
(Includes O. B. Damper)

DESCRIPTION:

- Construction: Corrosion-resistant steel. Curved vanes on 1" (25) centers. Frame is mechanically inter-locked for strength with hairline miters. Rear adjustable equalizing vanes on 61CD models are "teardrop" on 3/4" (19) centers. Roll-formed steel opposed blade damper on registers has screwdriver slot operator.
- The min. size is 6" x 4" (152 x 102). The maximum size is 36" x 36" (914 x 914).
- Discharge Pattern Selection:**
 1A 1B


- Type S Surface mount frame has a 1 1/4" (32) face border and a 1" (25) overlap margin.
- Curved blades are individually adjustable and regulate angle of discharge.
- Standard fastening is Type A countersunk screwholes.
- Standard finish is AW Appliance White.

OPTIONS:

- Finish:
 SP Special _____ .
- Fastening:
 Type C Concealed mounting straps
 Type D Concealed screwholes in neck
 Type N None
- Type FB Fixed Curved Blades
- PF Plaster sub-frame
- IS Insect screen
- Other _____ .

SCHEDULE TYPE:

PROJECT:

ENGINEER:

CONTRACTOR:

Dimensions are in inches (mm).

DATE	B SERIES	SUPERSEDES	DRAWING NO.
2 - 1 - 11	6100	6100-6/13-10-00R	61C-1