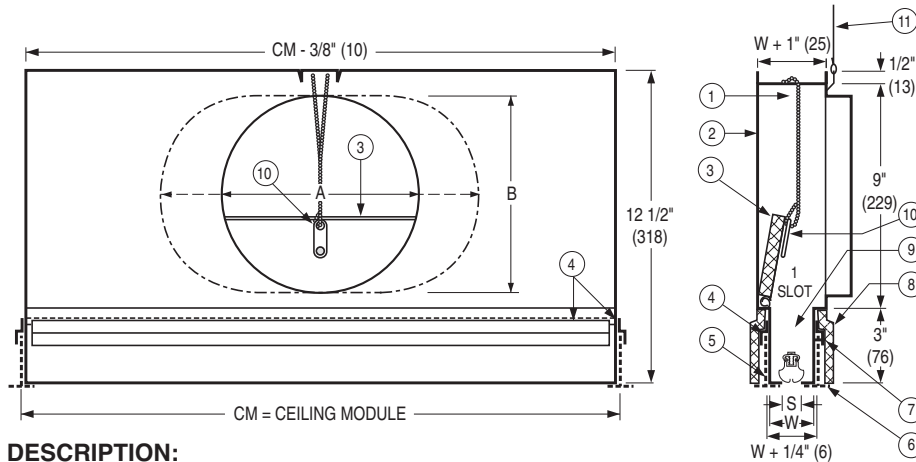
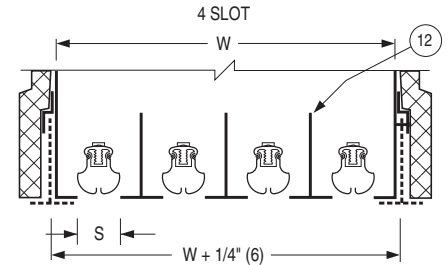
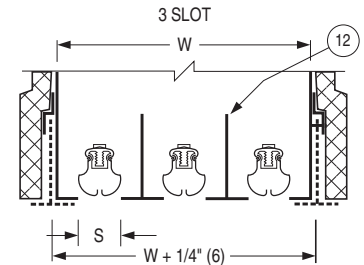
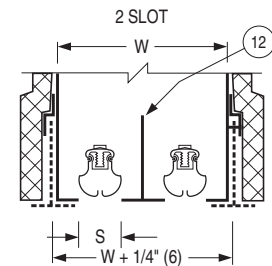




**FIRE RATED PLENUM SLOT DIFFUSER**  
**ADJUSTABLE 'ICE TONG' PATTERN**  
**CONTROLLERS • 3 HR. RATING**  
**MODELS: 5550T, 5575T, 5510T**



- MODEL 5550T**  
1/2" (13) Slot width
- MODEL 5575T**  
3/4" (19) Slot width
- MODEL 5510T**  
1" (25) Slot width



**DESCRIPTION:**

1. The 5500 Series is a UL Classified fire rated Air Terminal Unit listed in Underwriters Laboratories Fire Resistance Directory. All diffusers are classified for use in UL/ULC restrained or unrestrained floor/ceiling and or roof/ceiling assemblies which incorporate an exposed grid suspended ceiling (lay-in T-bar) with up to a 3 hour rating. For details of fire rated assemblies, see the current UL or ULC Fire Resistance Directory.
2. Finish: Black pattern controllers and exposed surfaces. AW Appliance White on center T-Bars.
3. The Series 5500T is a premium choice for high performance use in fire rated T-Bar ceiling assemblies. The 'ice tong' pattern controllers give total flexibility in all applications. Direction of airflow and volume may both be adjusted from the face of the diffuser. The 5500T series is well suited to VAV applications.
4. Standard nominal lengths: 20", 24", 36", 48" and 60" (500, 600, 900, 1200 and 1500). Standard inlet sizes: 5", 6", 7", 8" (127, 152, 178, 203) are round. Oval sizes are 9", 10" and 12" (229, 254 and 305).
5. Pattern controller is split mid-way on units 36" (914) long and over. This allows a 2-way opposite blow pattern from a single slot.

\* For installation instructions, see IOM-FRPINST.

**ITEMS:**

1. Fusible link damper support chain.
2. Corrosion resistant steel casing.
3. Insulated, hinged damper blade.
4. Clip for ceiling grid member – 4 sides.
5. Existing grid member.
6. Supplementary ceiling grid member. UL Listed (optional or by others).
7. #8 screws for grid member attachment.
8. Thermal shroud.
9. Adjustable pattern controller.
10. UL Listed fusible link (replaceable). 212°F (100°C) standard.

11. Hanger wire at casing mid-point.
12. Intermediate grid bars supplied and installed by factory.

**OPTIONS:**

1. Non-standard temperature U.L. Listed fusible link.
  - 165 165°F (74°C)
2.  ID Inlet Damper
3.  EX External Foil Back Insulation.
4. Supplementary ceiling grid (T-Bar) member (UL Listed).
  - T1 One (inlet side).
  - T0 One (opposite inlet side).

		S (Slot Width)		
		1/2" (13)	3/4" (19)	1" (25)
W (Width)	1 slot	1 1/2" (38)	1 3/4" (44)	2" (51)
	2 slot	3" (76)	3 1/2" (89)	4" (102)
	3 slot	4 1/2" (114)	5 1/4" (133)	6" (152)
	4 slot	6" (152)	7" (178)	8" (203)

		Nominal Inlet Size			
		6" (152) Round	8" (203) Round	10" (254) Oval	12" (305) Oval
A		5 7/8" (149)	7 7/8" (200)	11" (279)	14 1/8" (359)
B		-	-	7 7/8" (200)	7 7/8" (200)

**SCHEDULE TYPE:**

**PROJECT:**

**ENGINEER:**

**CONTRACTOR:**

Dimensions are in inches (mm).

DATE	B SERIES	SUPERSEDES	DRAWING NO.
1 - 16 - 17	5500	11 - 11 - 15	5500-3