



**PLENUMS FOR 5075TZ SERIES  
LINEAR SLOT "ICE TONG" DIFFUSERS  
FOR TECHZONE™ TYPE CEILINGS  
MODEL: 5375TZ (MP)**

**STANDARD MODEL:**

5375TZ • 3/4" (19) Slot

**MODIFIED PERFORMANCE MODEL:**

5375TZMP • 3/4" (19) Slot

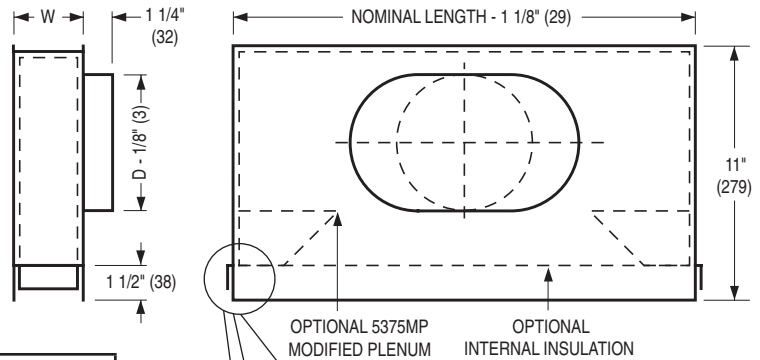
**DIFFUSER FRAME TYPE:**

L • Lay-In T-Bar

TL • Tegular T-Bar

NT • Narrow T-Bar Lay-in

**Straight Leg**



Nominal Length		Standard Nominal Inlets (D)	
inches	mm	inches	mm
24	610		
30	762	4, 5, 6, 8, 10	102, 127, 152, 203, 254
36	914		
48	1219		
60	1524	6, 8, 10, 12	152, 203, 254, 305
72	1829		

Inlets 4" thru' 8" are round and 10" thru' 12" are flat oval.

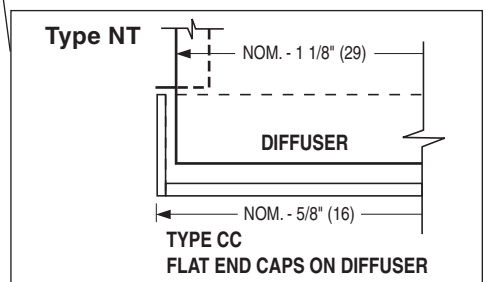
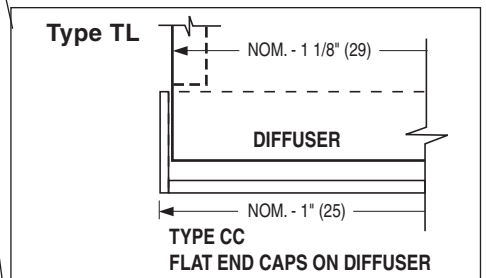
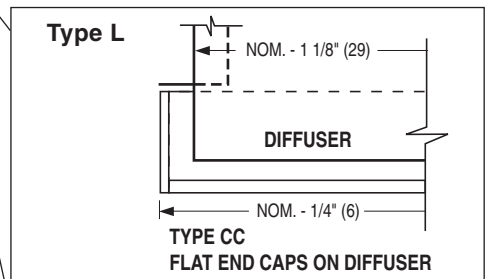
No. of Slots	Plenum Width (W) For Various Frame Types			
	Imperial Units (inches)		Metric Units (mm)	
	L, NT	TL	L, NT	TL
1	1 1/2	1 1/2	38	38
2	2 3/4	2 3/4	70	70
3	4	4	102	102
4	5 1/4	N/A	133	N/A

**NOTES:**

1. Construction: Corrosion-resistant steel.
2. Nailor Series 5375TZ Plenums are designed specifically for field attachment to the 5075TZ Series Linear Slot Diffuser. They ensure optimum use of the 5075TZ Series VAV performance, providing a tight horizontal air pattern even at low volumes. Optional MP models incorporate integral baffles, which provide a reduction in throw and increased spread of the air pattern.
3. End caps can be turned up and field trimmed as necessary to fit diffuser length and provide a blank-off to reduce air leakage at end of diffuser.

**ACCESSORIES (OPTIONAL):**

1.  Internal Insulation. 5375TZI(MP) 3/4" (19) Slot
2.  EX External Foil Back Insulation
3.  ID Inlet Damper
4.  NI No Inlet



**SCHEDULE TYPE:**

**PROJECT:**

**ENGINEER:**

**CONTRACTOR:**

Dimensions are in inches (mm).

DATE	B SERIES	SUPERSEDES	DRAWING NO.
12 - 23 - 19	5300	5 - 11 - 12	5375TZ-1