



**LINEAR SLOT DIFFUSER PLENUMS**  
**ADAPTORS FOR MODEL SERIES 5000**  
**LINEAR SLOT "ICE TONG" DIFFUSER • 1 - 4 SLOT**  
**MODELS: 5350, 5375, 5310 AND 5315(MP)**

**1 THROUGH 4 SLOT**

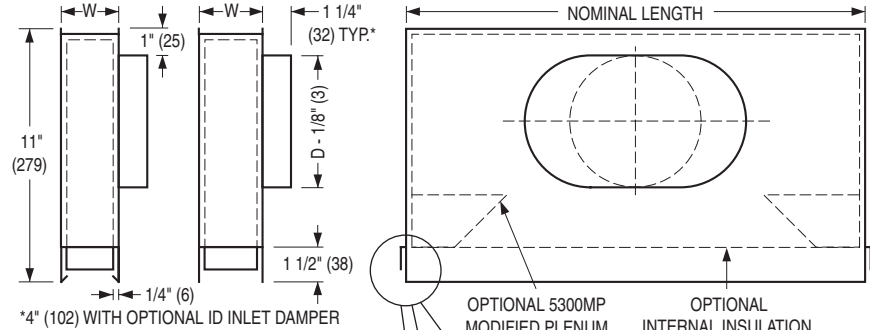
**STANDARD MODELS:**

- 5350** • 1/2" (13) Slot
- 5375** • 3/4" (19) Slot
- 5310** • 1" (25) Slot
- 5315** • 1 1/2" (38) Slot

**MODIFIED PERFORMANCE MODELS:**

- 5350MP** • 1/2" (13) Slot
- 5375MP** • 3/4" (19) Slot
- 5310MP** • 1" (25) Slot
- 5315MP** • 1 1/2" (38) Slot

**Hemmed Leg Frame Types:** C, D, J, N  
**Straight Leg Frame Types:** A, B, E, F, FL, G, H, H2, KA, K1, K2, M, T



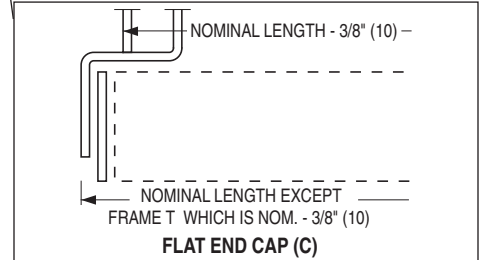
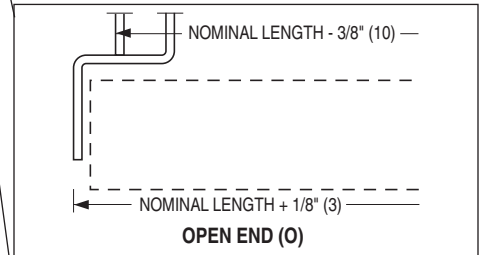
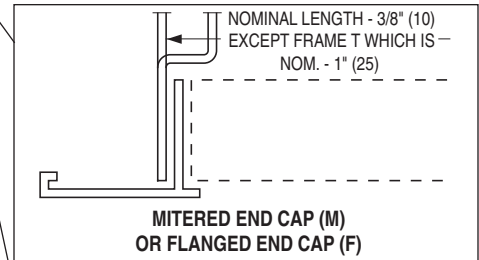
Nominal Length		Standard Nominal Inlets (D)	
inches	mm	inches	mm
20	508		
24	610	4, 5, 6,	102, 127, 152,
30	762	8, 10	203, 254
36	914		
48	1219	6, 8,	152, 203,
60	1524	10, 12,	254, 305,
72	1829	14	356

Inlets 4" thru' 8" (102 thru 203) are round and 10" thru' 14" (254 thru 356) are flat oval.  
 Equivalent oval: 10" (254) = 11" x 7 7/8" (279 x 200); 12" (305) = 14 1/8" x 7 7/8" (359 x 200);  
 14" (356) = 17 5/16" x 7 7/8" (440 x 200).

Model	No. of Slots	Plenum Width (W) For Various Frame Types									
		Imperial Units (inches)					Metric Units (mm)				
		A, B, FL, KA, K1, K2, M, T	C, D, F, J, H, H2, N	E	G	A, B, FL, KA, K1, K2, M, T	C, D, F, J, H, H2, N	E	G		
5350	1	1 1/2	2	2 1/4	2 1/2	38	51	57	64		
5375		1 3/4	2 1/4	2 1/2	2 3/4	44	57	64	70		
5310		2	2 1/2	2 3/4	3	51	64	70	76		
5315		2 1/2	3	3 1/4	3 1/2	64	76	83	89		
5350	2	2 3/4	3 1/4	3 1/2	3 3/4	70	83	89	95		
5375		3 1/4	3 3/4	4	4 1/4	83	95	102	108		
5310		3 3/4	4 1/4	4 1/2	4 3/4	95	108	114	121		
5315		4 3/4	5 1/4	5 1/2	5 3/4	121	133	140	146		
5350	3	4	4 1/2	4 3/4	5	102	114	121	127		
5375		4 3/4	5 1/4	5 1/2	5 3/4	121	133	140	146		
5310		5 1/2	6	6 1/4	6 1/2	140	152	159	165		
5315		7	7 1/2	7 3/4	8	178	191	197	203		
5350	4	5 1/4	5 3/4	6	6 1/4	133	146	152	159		
5375		6 1/4	6 3/4	7	7 1/4	159	171	178	184		
5310		7 1/4	7 3/4	8	8 1/4	184	197	203	210		
5315		9 1/4	9 3/4	10	10 1/4	235	248	254	260		

**NOTES:**

- Construction: Corrosion-resistant steel.
- Nailor Series 5300 Plenums are designed specifically for field attachment to the 5000 Series Linear Slot Diffuser. They ensure optimum use of the 5000 Series VAV performance, providing a tight horizontal air pattern even at low volumes. Optional MP models incorporate integral baffles, which provide a reduction in throw and increased spread of the air pattern.
- End caps can be turned up to allow plenums to be installed on continuous runs. Simple installation with a flexible duct connection.



**ACCESSORIES (OPTIONAL):**

- 1a. Internal Insulation:
  - 5350I(MP) 1/2" (13) slot.
  - 5375I(MP) 3/4" (19) slot.
  - 5310I(MP) 1" (25) slot.
  - 5315I(MP) 1 1/2" (38) slot.
- 1b.
  - FGI 1/4" (6) coated fiberglass.
  - FFI 3/8" (10) fiber-free foam.
2.  EX External Foil Back Insulation
3.  ID Inlet Damper w/HLQ
4.  NI No Inlet

Dimensions are in inches (mm).

<b>SCHEDULE TYPE:</b>			
<b>PROJECT:</b>			
<b>ENGINEER:</b>			
<b>CONTRACTOR:</b>			
<b>DATE</b>	<b>B SERIES</b>	<b>SUPERSEDES</b>	<b>DRAWING NO.</b>
12 - 23 - 19	5300	9 - 6 - 17	5300-1