



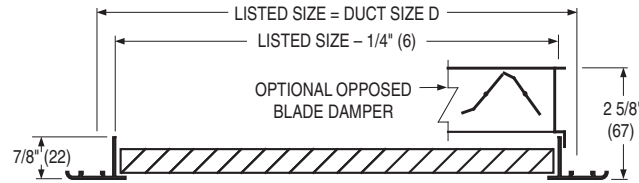
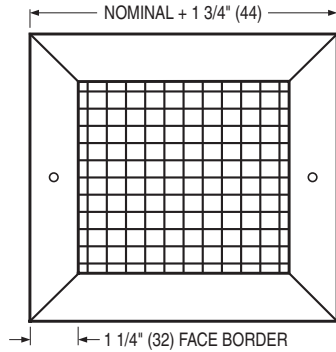
**ALUMINUM EGGCRATE RETURN GRILLES & REGISTERS**  
 45° DEFLECTION • SIGHTPROOF  
**MODELS: 51EC45(-O) TYPE S AND L**

**MODELS**

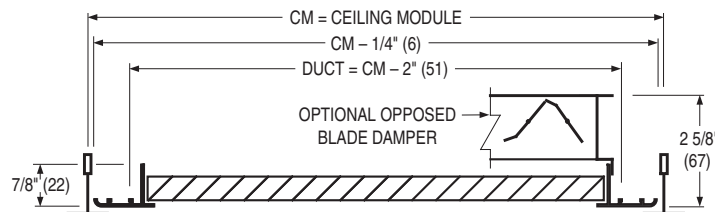
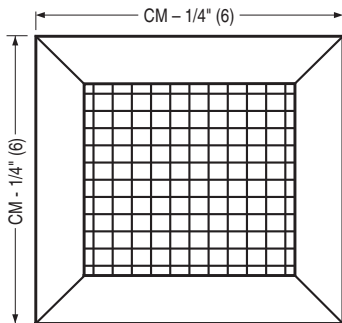
**Model 51EC45**  
 Eggcrate Return Air Grille

**Model 51EC45-O**  
 Eggcrate Return Air Register (Includes Opposed Blade Damper)

**Type S Surface Mount Frame**



**Type L Lay-in T-Bar • Full Face**



**Type L Available Sizes**

CM Ceiling Module Dimension	
inches	S. I. mm
12 x 12	300 x 300
24 x 12	600 x 300
36 x 12	900 x 300
20 x 20	500 x 500
24 x 24	600 x 600
36 x 24	900 x 600
48 x 24	1200 x 600

Duct size = CM - 2" (51)

**DESCRIPTION:**

1. Extruded aluminum heavy gauge frame mechanically interlocked with hairline mitered corners for strength. 1/2" x 1/2" x 1/2" (13 x 13 x 13) aluminum grid core is angled at 45° to prevent "see through" from three directions.
2. Sight resistant parallel to width/long dimension.
3. Optional roll-formed steel opposed blade damper has a screwdriver slot operator. A portion of the core is removed to allow access.
4. Type S Surface Mount frame has a 1 1/4" (32) face border and a 1" (25) overlap margin. Type L Lay-in T-Bar frame has a 1 1/4" (32) face border.
5. Type S is available in nominal sizes 4" x 4" (102 x 102) through 48" x 24" (1219 x 610) in one piece construction. Fractional and metric sizes are available.
6. Standard fastening for Type S Frame is Type A countersunk screw holes.
7. Standard finish is AW Appliance White.

**OPTIONS:**

- IS Insect Screen (not available with opposed blade damper)
  - PF Plaster Frame (Type S only)
  - EQT Earthquake Tabs
  - OA Aluminum opposed blade damper (model suffix)
  - Other \_\_\_\_\_
  - GK Foam Gasket
- Finish:
- SP Special \_\_\_\_\_

**SCHEDULE TYPE:**

**PROJECT:**

**ENGINEER:**

**CONTRACTOR:**

Dimensions are in inches (mm).

DATE	B SERIES	SUPERSEDES	DRAWING NO.
12 - 10 - 15	5100	11 - 10 - 15	51EC45-1