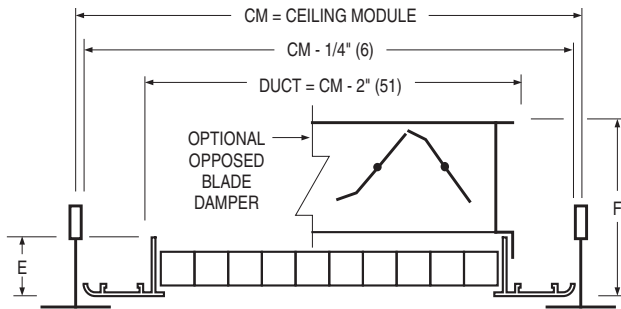


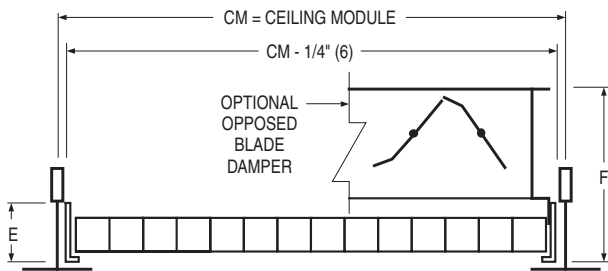


ALUMINUM EGGCRATE RETURN GRILLES AND REGISTERS LAY-IN T-BAR MODELS: 51EC(-O) TYPES L, A AND C



TYPE L ALUMINUM FRAME/BORDER

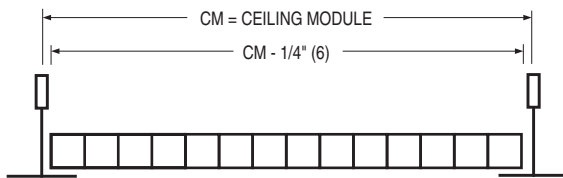
Model 51EC Grille Model 51EC-O Register



TYPE A CONCEALED ANGLE FRAME (non-ducted applications)

Model 51EC Grille Model 51EC-O Register

| DIMENSION | STANDARD FRAME WITH 1/2 x 1/2 x 1/2 STD. CORE | WITH 1/2 x 1/2 x 1 OR 1 x 1 x 1 OPTIONAL CORE |
|-----------|---|---|
| E | 7/8" (22) | 1 1/4" (32) |
| F | 2 5/8" (67) | 3" (76) |



TYPE C CORE ONLY (for non-ducted applications) Model 51EC

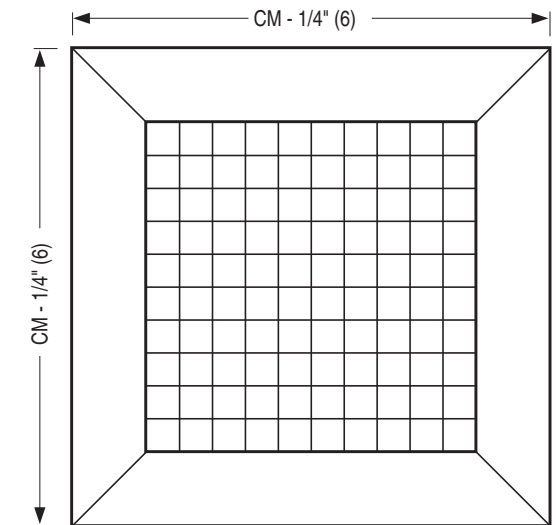
DESCRIPTION:

- Construction: Extruded aluminum heavy gauge frame mechanically interlocked with hairline mitered corners for strength on Type L. 1/2 x 1/2 x 1/2 (13 x 13 x 13) aluminum grid core (code CA) is standard on all models. A high capacity return or exhaust outlet with maximum free area for minimum pressure drop and sound generation.
- Optional roll-formed steel opposed blade damper has a screw driver slot operator accessible through face of register.
- Minimum size is 4" x 4" (102 x 102).
Maximum size is 48" x 48" (1219 x 1219) for Types L and A.
Maximum size is 48" x 24" (1219 x 610) for Type C.
Nominal List Size = Ceiling Module Size.
- Standard finish is AW Appliance White.

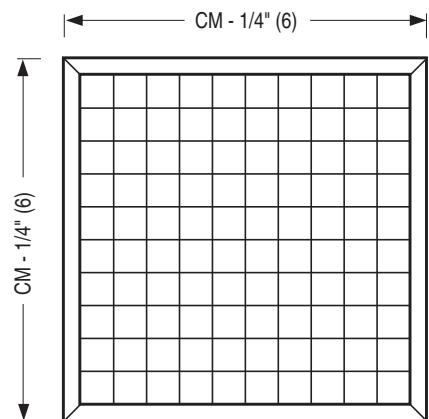
OPTIONS:

- Finish:
 - SA Satin (clear) anodized frame/mill core (Type L)
 - SP Special _____ .
- OA Aluminum opposed blade damper (model suffix)
- Non-standard core:
 - CB 1/2 x 1/2 x 1 (13 x 13 x 25)
 - CC 1 x 1 x 1 (25 x 25 x 25)
 - Other _____ .

Dimensions are in inches (mm).



1 1/4" (32) FACE BORDER



1/4" (6) CONCEALED STEEL ANGLE FRAME

SCHEDULE TYPE:

PROJECT:

ENGINEER:

CONTRACTOR:

DATE

B SERIES

SUPERSEDES

DRAWING NO.

2 - 1 - 11

5100

5100-48/6-30-03

51EC-2