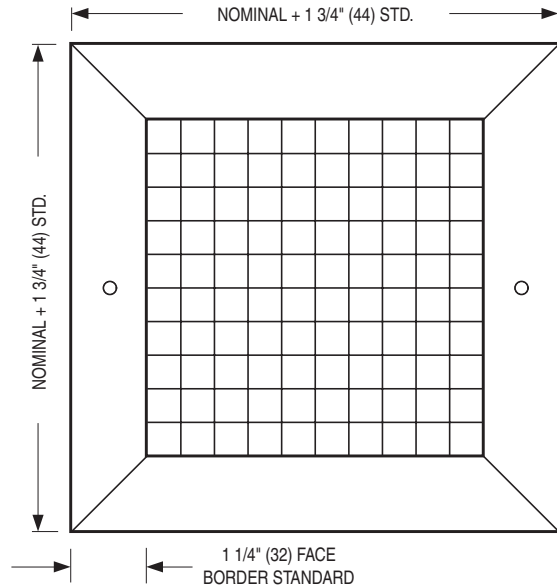
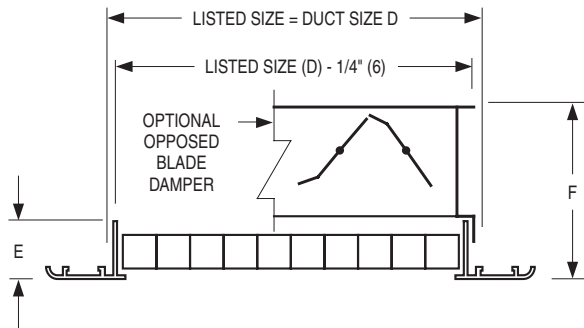
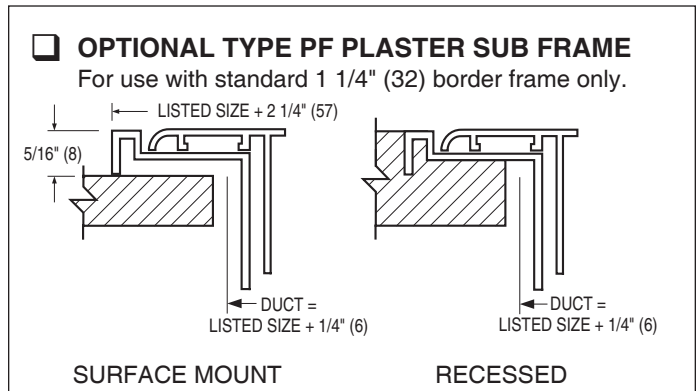
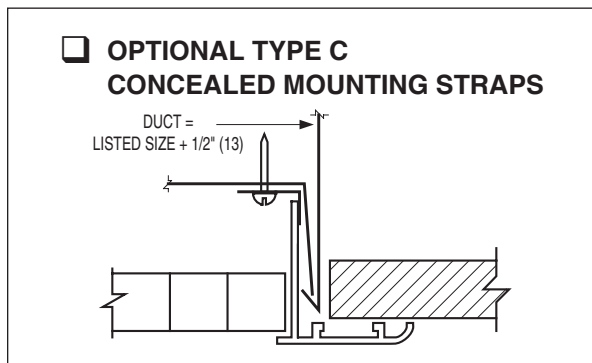




**ALUMINUM EGGCRATE RETURN GRILLES AND
REGISTERS
SURFACE MOUNT
MODELS: 51EC(-O) TYPE S**



DIMENSION	STANDARD FRAME WITH 1/2 x 1/2 x 1/2 STD. CORE	OPTIONAL NF FRAME AND/OR OPTIONAL CORE
E	7/8" (22)	1 1/4" (32)
F	2 5/8" (67)	3" (76)



- Model 51EC Grille Type S.**
For surface mount applications.
- Model 51EC-O Register Type S.**
For surface mount applications with opposed blade damper.

DESCRIPTION:

1. Construction: Extruded aluminum heavy gauge frame mechanically interlocked with hairline mitered corners for strength. 1/2 x 1/2 x 1/2 (13 x 13 x 13) aluminum grid core (code CA) is standard. A high capacity return or exhaust outlet with maximum free area for minimum pressure drop and sound generation.
2. Optional roll-formed steel opposed blade damper has a screw driver slot operator accessible through face of register.
3. Minimum size is 4" x 4" (102 x 102).
Maximum size one piece construction is 48" x 48" (1219 x 1219).
4. Type S Surface mount standard frame has a 1 1/4" (32) face border and a 1" (25) overlap margin. Available in multiple sections with mullions - see submittal OG-1-A.
5. Standard fastening is Type A countersunk screw holes.
6. Standard finish is AW Appliance White.

OPTIONS:

1. Finish:
 - SA Satin (clear) anodized/mill core.
 - SP Special _____.
2. Fastening:
 - Type C Concealed mounting straps
3. OA Aluminum opposed blade damper (model suffix).
4. Type NF Narrow frame with 1" (25) face border and a 3/4" (19) overlap margin. O.A. flange to flange dim. = listed size + 1 1/4" (32).
5. PF Plaster frame
6. IS Insert screen
7. Non-standard core:
 - CB 1/2 x 1/2 x 1 (13 x 13 x 25)
 - CC 1 x 1 x 1 (25 x 25 x 25)
8. Other _____.

SCHEDULE TYPE:	Dimensions are in inches (mm).			
PROJECT:				
ENGINEER:				
CONTRACTOR:				
	DATE	B SERIES	SUPERSEDES	DRAWING NO.
	9 - 1 - 20	5100	2 - 1 - 11	51EC-1