



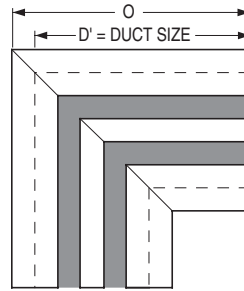
LINEAR SLOT DIFFUSERS
EXTRUDED ALUMINUM
OPTIONS AND ACCESSORIES
MODEL SERIES: 5000

90° Mitered Corners

- 5050MC • 1/2" (13) Slot
- 5075MC • 3/4" (19) Slot
- 5010MC • 1" (25) Slot
- 5015MC • 1 1/2" (38) Slot

The standard mitered corners are 90° and 135°. Units are factory welded with precision to match and align with the associated straight leg.

Units are supplied with factory installed blank-offs in the slot (painted black) and are inactive.



D' = Duct Size		
Models	No. of Slots	D'
5050MC 5075MC	1 to 4	12 (305)
	5 to 10	24 (610)
5010MC 5015MC	1 to 4	16 (406)
	5 to 8	24 (610)
	9 to 10	36 (914)

Special Mitered Corners

- Other Angle _____

*Available from 45 – 179° as SPL.

(A detailed dimensional sketch is required for co-ordination with installing contractor).

90° Mitered Corner Dimension 'O'

Frame Type					
A, B	C, F, H, H2, J, T	D	E, G	KA, K1, K2	M, N, FL
D' + 9/16 (14)	D' + 3/8 (10)	D' + 1/8 (3)	D' - 1/8 (3)	D' + 5/8 (16)	D'

Plenums

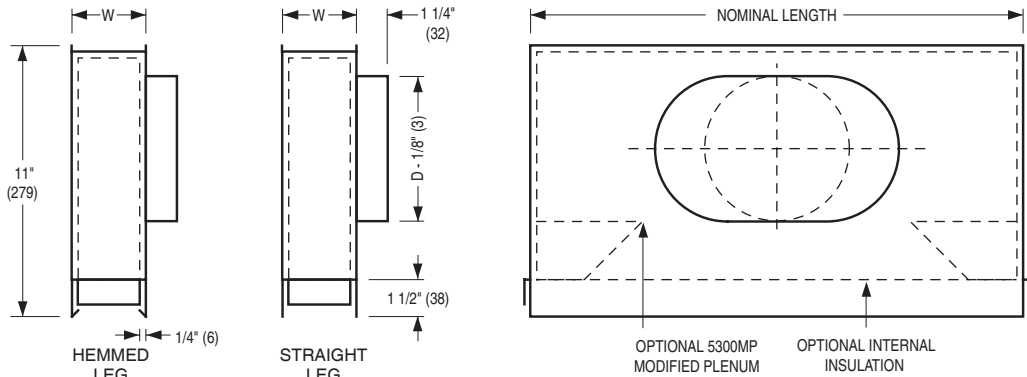
Standard Models

Uninsulated:

- 5350 • 1/2" (13) Slot
- 5375 • 3/4" (19) Slot
- 5310 • 1" (25) Slot
- 5315 • 1 1/2" (38) Slot

Insulated:

- 5350I • 1/2" (13) Slot
- 5375I • 3/4" (19) Slot
- 5310I • 1" (25) Slot
- 5315I • 1 1/2" (38) Slot



Modified Performance Models

Uninsulated:

- 5350MP • 1/2" (13) Slot
- 5375MP • 3/4" (19) Slot
- 5310MP • 1" (25) Slot
- 5315MP • 1 1/2" (38) Slot

Insulated:

- 5350IMP • 1/2" (13) Slot
- 5375IMP • 3/4" (19) Slot
- 5310IMP • 1" (25) Slot
- 5315IMP • 1 1/2" (38) Slot

Standard Plenums have square shoulders. An optional modified plenum is available with the addition of integral baffles (add suffix MP) which provides a reduction in throw and increased spread of the air pattern.

- Request submittal dwg. 5300-1 for full dimensional data and available length and inlet size combinations.

EF Flanged End Caps [Shipped loose]

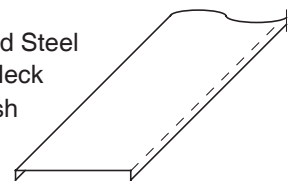
- 5050EF for 1/2" (13) Slot
- 5075EF for 3/4" (19) Slot
- 5010EF for 1" (25) Slot
- 5015EF for 1 1/2" (38) Slot

BO Blank-Offs

- 5050BO for 1/2" (13) Slot
- 5075BO for 3/4" (19) Slot
- 5010BO for 1" (25) Slot
- 5015BO for 1 1/2" (38) Slot

Shipped in 6' (1829) lengths to be field-cut.

- Cold-Rolled Steel
- Fits over Neck
- Black Finish



Dimensions are in inches (mm).

SCHEDULE TYPE:				
PROJECT:				
ENGINEER:		DATE	B SERIES	SUPERSEDES
CONTRACTOR:		12 - 30 - 19	5000	9 - 6 - 17
				DRAWING NO.
				5000 - 5