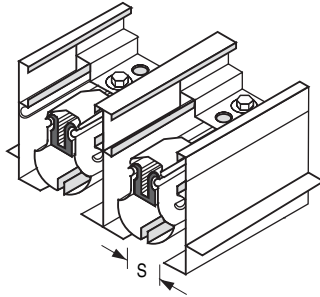




LINEAR SLOT DIFFUSERS
EXTRUDED ALUMINUM
FINELINE® TYPE CEILING APPLICATIONS
MODEL SERIES: 5000
FRAME TYPE FL

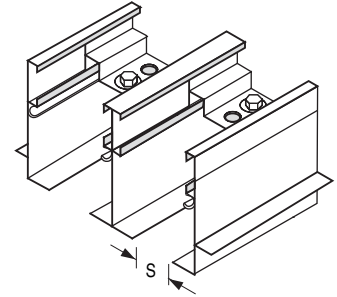
Supply Model

- 5050 (S = 1/2" [13] slot)
- 5075 (S = 3/4" [19] slot)
- 5010 (S = 1" [25] slot)
- 5015 (S = 1 1/2" [38] slot)



Return Model

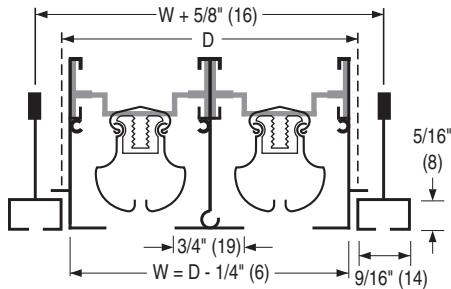
- 5050R (S = 1/2" [13] slot)
- 5075R (S = 3/4" [19] slot)
- 5010R (S = 1" [25] slot)
- 5015R (S = 1 1/2" [38] slot)



Width

Type FL Frame

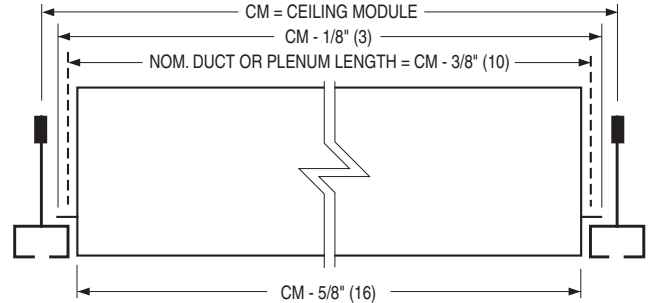
For Fineline® type ceilings



Length and End Cap Configuration

Type MM

Mitered End Cap (Standard)



Duct Width D Dimension

Frame Type	No. of Slots	Imperial Units (inches)				Metric Units (mm)			
		5050	5075	5010	5015	5050	5075	5010	5015
		5050R	5075R	5010R	5015R	5050R	5075R	5010R	5015R
		S = 1/2"	S = 3/4"	S = 1"	S = 1 1/2"	S = 13	S = 19	S = 25	S = 38
FL	1	1 1/2"	1 3/4"	2"	2 1/2"	38	44	51	64
	2	2 3/4"	3 1/4"	3 3/4"	4 3/4"	70	83	95	121
	3	4"	4 3/4"	5 1/2"	7"	102	121	140	178
	4	5 1/4"	6 1/4"	7 1/4"	9 1/4"	133	159	184	235
	5	6 1/2"	7 3/4"	9"	11 1/2"	165	197	229	292
	6	7 3/4"	9 1/4"	10 3/4"	13 3/4"	197	235	273	349
	7	9"	10 3/4"	12 1/2"	16"	229	273	318	406
	8	10 1/4"	12 1/4"	14 1/4"	18 1/4"	260	311	362	464
	9	11 1/2"	13 3/4"	16"	20 1/2"	292	349	406	521
	10	12 3/4"	15 1/4"	17 3/4"	22 3/4"	324	387	451	578

NOTES:

- Material: Extruded aluminum frame. Corrosion-resistant steel pattern controllers.
- The volume and direction of the discharge air can be adjusted by moving the pattern controllers.
- Model 5000R return and the Model 5000 supply diffusers are identical except for the pattern controllers.
- The maximum length of the pattern controller is 36" (914). Diffusers longer than 36" (914) are provided with multiple pattern controller sections.
- Standard finish is AW Appliance White. Black pattern controllers.

OPTIONS:

Available in nominal lengths to suit both imperial and metric ceiling modules (CM) 24" and 48" (600 and 1200).

Note: Nominal 48" (1200) does not include a cross notch.

Specify CM/Nom. length: _____.

FACTORY SUPPLIED PLENUM

- 5350 5350I Insulated 1/2" (13) slot
- 5375 5375I Insulated 3/4" (19) slot
- 5310 5310I Insulated 1" (25) slot
- 5315 5315I Insulated 1 1/2" (38) slot

See separate submittal for full specification and dimensional data. Fineline® is a registered trademark of USG Interiors Inc.

SCHEDULE TYPE:

PROJECT:

ENGINEER:

CONTRACTOR:

Dimensions are in inches (mm).

DATE

B SERIES

SUPERSEDES

DRAWING NO.

11 - 1 - 12R

5000

6 - 10 - 11

5000-4B