



LINEAR SLOT DIFFUSERS

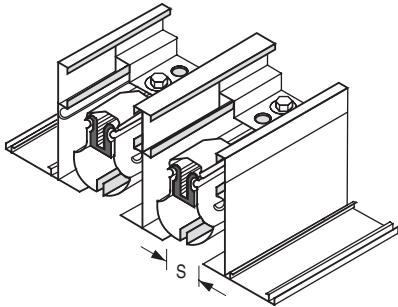
EXTRUDED ALUMINUM

MODEL SERIES: 5000

FRAME TYPES J, KA, K1, K2, M, N

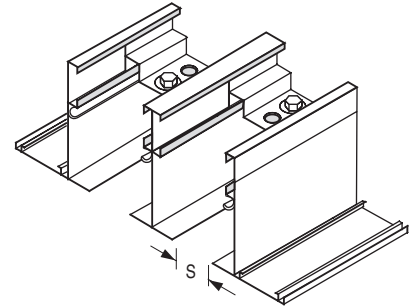
Supply Model

- 5050
(S = 1/2" [13] slot)
- 5075
(S = 3/4" [19] slot)
- 5010
(S = 1" [25] slot)
- 5015
(S = 1 1/2" [38] slot)



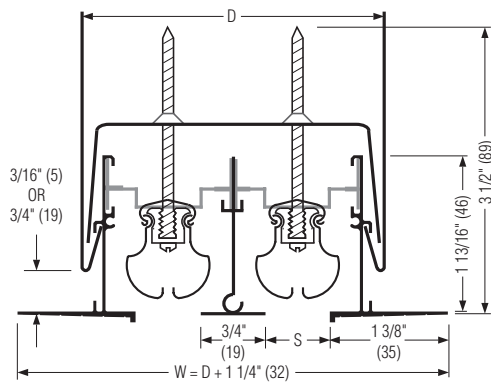
Return Model

- 5050R
(S = 1/2" [13] slot)
- 5075R
(S = 3/4" [19] slot)
- 5010R
(S = 1" [25] slot)
- 5015R
(S = 1 1/2" [38] slot)



Type J

Tape & Spackle Frame /
Concealed Mounting

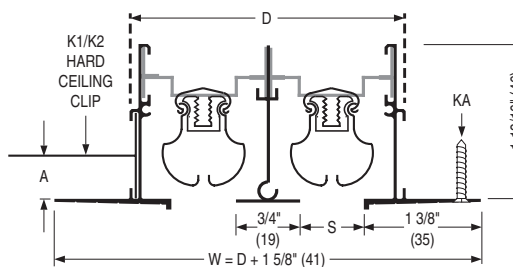


Type KA

Tape & Spackle Frame /
Countersunk screw holes (both sides)

Types K1, K2

Tape & Spackle Frame /
Hard Ceiling Clip for 1/2" (13)
or 5/8" (16) drywall (both sides)



Type	A	Hard Clip
K1	1/2" (13)	HC5
K2	5/8" (16)	HC1

FINISH:

Type J, KA, K1 and K2:

- MI Mill outer frame with Appliance White center tees (standard)
- SP Special _____

All with black pattern controllers

Type M and N:

- AW Appliance White (standard)
- SP Special _____

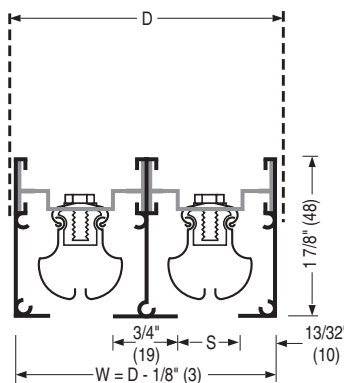
All with black pattern controllers

NOTES:

1. Material: Extruded aluminum frame. Corrosion-resistant steel pattern controllers.
2. The volume and direction of the discharge air can be adjusted by moving the pattern controllers.
3. Model 5000R return and the Model 5000 supply diffusers are identical except for the pattern controllers.
4. Greater than 6 foot (1829) lengths are supplied in multiple sections.
5. The maximum length of the pattern controller is 36" (914). Diffusers longer than 36" (914) are provided with multiple pattern controller sections.
6. Alignment strips on the frames and sub-frames provide superior, positive aligning.
7. Available with 1 to 10 slots.
8. Standard lengths of diffuser sections are 1, 2, 3, 4, 5 and 6 ft (305, 610, 914, 1219, 1524 and 1829).

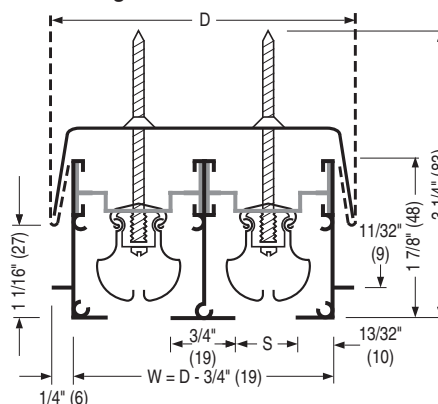
Type M

Flush Frame / Duct Mounting



Type N

Spline Frame Ceiling / Concealed Mounting



SCHEDULE TYPE:

PROJECT:

ENGINEER:

CONTRACTOR:

Dimensions are in inches (mm).

DATE

B SERIES

SUPERSEDES

DRAWING NO.

11 - 6 - 18

5000

9 - 6 - 17

5000-3A