



**CURVED LINEAR BAR GRILLES**  
 ALUMINUM OR STAINLESS STEEL  
 FLAT FACE • SIDE WALL OR FLOOR MOUNT  
 MODEL SERIES: 49C AND 49C-SS

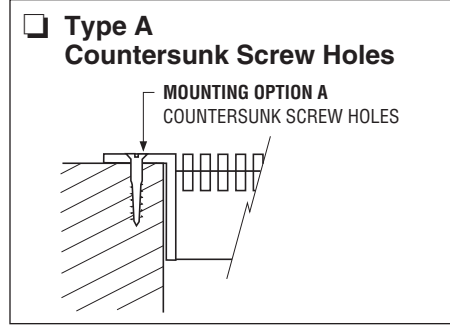
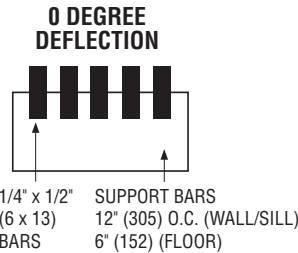
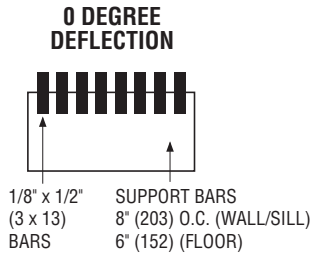
Models  49C Aluminum  49C-SS Stainless Steel

**Mounting Options**

**Core Styles**

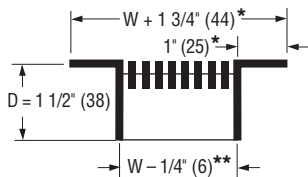
- 480**  
1/8" (3) bars on  
1/4" (6) centers
- 380**  
1/8" (3) bars on  
3/8" (10) centers
- 280**  
1/8" (3) bars on  
1/2" (13) centers

- 240**  
1/4" (6) bars on 1/2" (13) centers

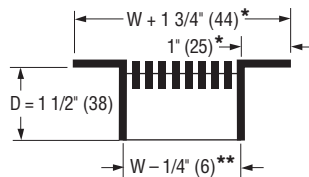


**Frame Styles**

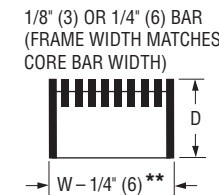
**Type A Flanged Frame**



**Type F Heavy Duty Flanged Frame**



**Type G Straight Frame**

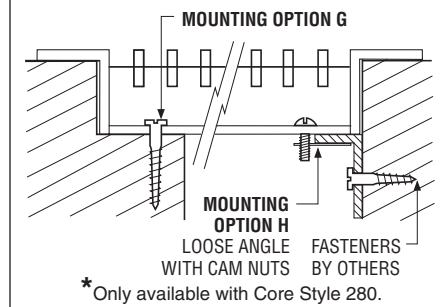


\* 1/2" (13), 3/4" (19) AND 1 1/2" (38) FLANGE WIDTH ALSO AVAILABLE  
 \*\* CORE LENGTH = L - 1/4" (6)

Type G Frame	
Model	D Dimension
49C	1 1/2" (38)
49C-SS	1 1/4" (32)

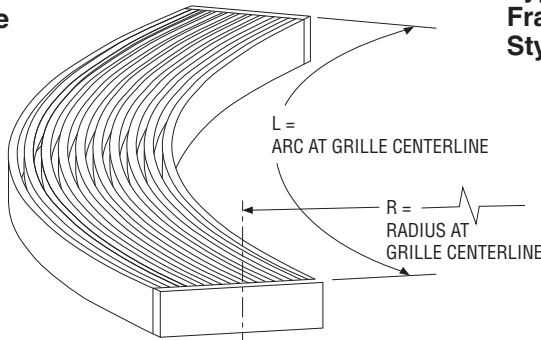
**Type G\* Concealed Mounting Tabs**

**Type H\* Loose Angle Frame with Mounting Tabs**

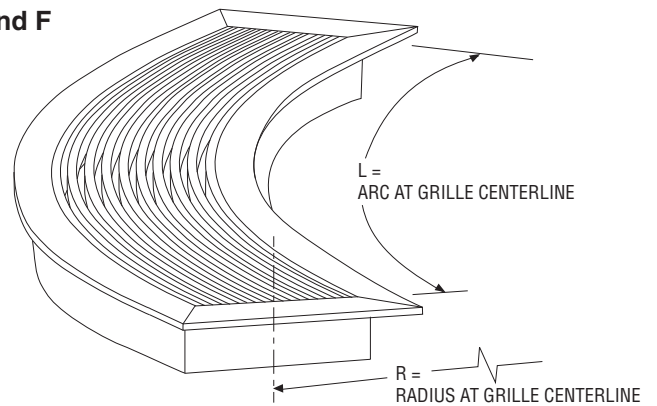


\* Only available with Core Style 280.

**Type G Frame Style**



**Type A and F Frame Style**



QTY.	LISTED SIZE		R	# SECT.	CORE STYLE	FRAME STYLE	SUP. BAR SPACING	MATERIAL	MTG. OPTION	FINISH	TAG
	L	W									

SCHEDULE TYPE:

PROJECT:

ENGINEER:

CONTRACTOR:

Page 1 of 2  
 Dimensions are in inches (mm).

DATE

B SERIES

SUPERSEDES

DRAWING NO.

2 - 1 - 14

49C

6 - 12 - 08

49C



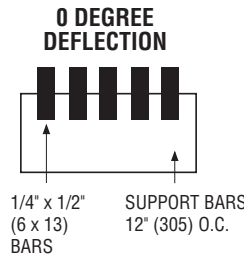
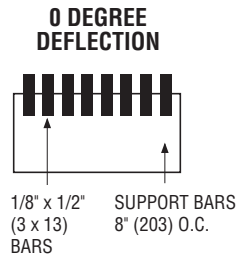
**CURVED LINEAR BAR GRILLES**  
 ALUMINUM OR STAINLESS STEEL  
 CONCAVE OR CONVEX FACE • SIDE WALL MOUNT  
 MODEL SERIES: 49C AND 49C-SS

**Models**    49C Aluminum    49C-SS Stainless Steel

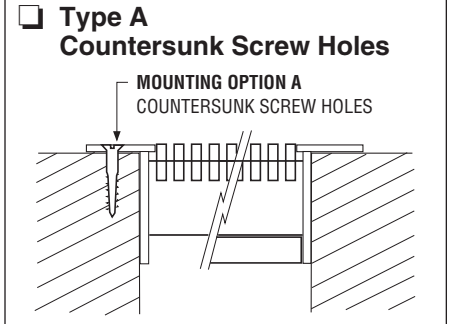
**Core Styles**

- 480**  
1/8" (3) bars on  
1/4" (6) centers
- 380**  
1/8" (3) bars on  
3/8" (10) centers
- 280**  
1/8" (3) bars on  
1/2" (13) centers

- 240**  
1/4" (6) bars on 1/2" (13) centers

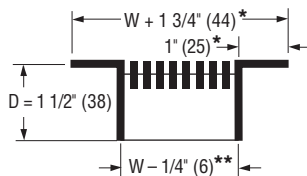


**Mounting Options**



**Frame Styles**

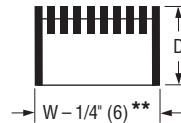
- Type A Flanged Frame**



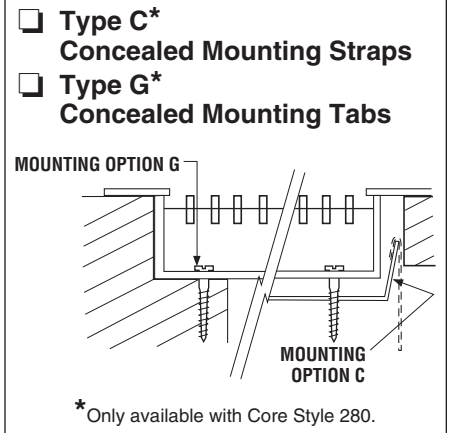
\* 1/2" (13), 3/4" (19) AND 1 1/2" (38)  
FLANGE WIDTH ALSO AVAILABLE

- Type G Straight Frame**

1/8" (3) OR 1/4" (6) BAR  
(FRAME WIDTH MATCHES  
CORE BAR WIDTH)

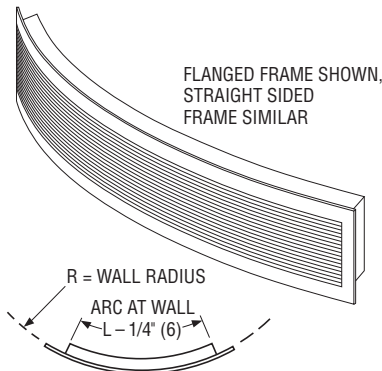


Type G Frame	
Model	D Dimension
49C	1 1/2" (38)
49C-SS	1 1/4" (32)



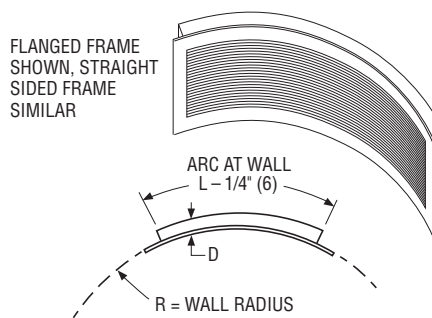
\* Only available with Core Style 280.

- Convex**



**Plan View**

- Concave**



**Plan View**

QTY.	LISTED SIZE		WALL RADIUS R	CURVATURE	CORE STYLE	FRAME STYLE	SUP. BAR SPACING	MATERIAL	MTG. OPTION	FINISH	TAG
	L	W									

**SCHEDULE TYPE:**

**PROJECT:**

**ENGINEER:**

**CONTRACTOR:**

Page 2 of 2  
Dimensions are in inches (mm).

DATE	B SERIES	SUPERSEDES	DRAWING NO.
2 - 1 - 14	49C	6 - 12 - 08	49C