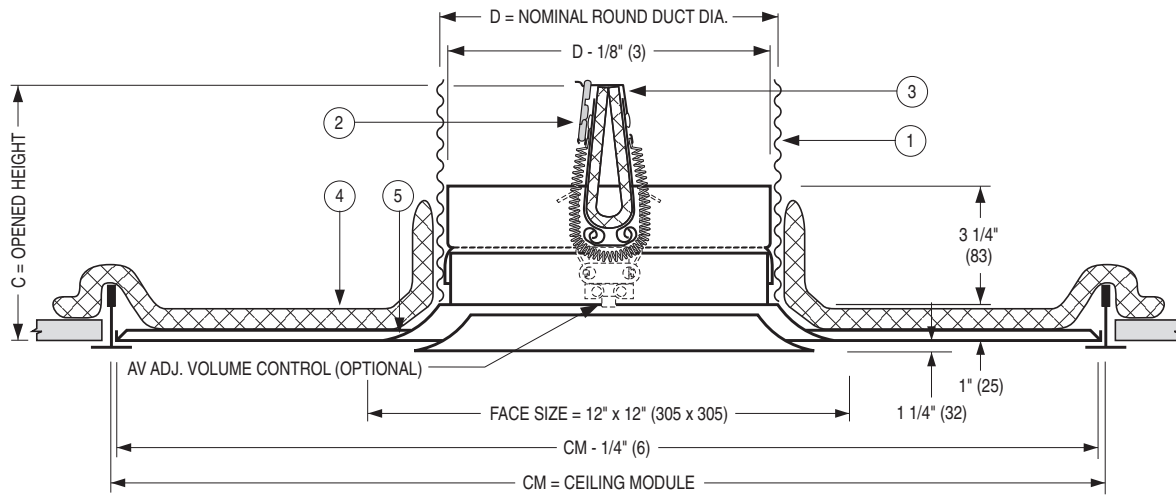




FIRE RATED CEILING DIFFUSER
FIXED PATTERN • LOUVERED FACE
PANEL TYPE • STEEL • ROUND NECK • 4 CONE
MODELS: 4430 AND 4440



CATEGORY
BZZU



CATEGORY
BZGUC



| | Imperial Modules | | Metric Modules | | | |
|-------------------------|-------------------------|-------|----------------|-----|----------------|-----|
| | Imperial Units (inches) | | SI Units (mm) | | SI Units (mm) | |
| Listed Neck Size | CM = 24 x 12 | | CM = 610 x 305 | | CM = 600 x 300 | |
| | D | C | D | C | D | C |
| 6 | 6 | 5 1/2 | 152 | 140 | 152 | 140 |
| 8 | 8 | 6 1/2 | 203 | 165 | 203 | 165 |
| Listed Neck Size | CM = 24 x 24 | | CM = 610 x 610 | | CM = 600 x 600 | |
| | D | C | D | C | D | C |
| 6 | 6 | 5 1/2 | 152 | 140 | 152 | 140 |
| 8 | 8 | 6 1/2 | 203 | 165 | 203 | 165 |

MODEL 4430
 24 x 12 (600 x 300) module
 Type PL Panel Lay-in Frame

MODEL 4440
 24 x 24 (600 x 600) module
 Type PL Panel Lay-in Frame

ITEMS:

1. Flexible air duct (UL/ULC Class 0 or 1) connector or steel duct.
2. U.L. Listed fusible link. 212°F (100°C) standard.
3. Ceiling radiation damper/fire stop flap.
4. Ceramic fibre thermal blanket.
5. Corrosion resistant steel panel diffuser.

DESCRIPTION:

1. All models are classified for use in UL/ULC restrained or unrestrained floor/ceiling and or roof/ceiling assemblies which incorporate an exposed grid suspended ceiling (lay-in T-bar) with up to a 3 hour rating. For details of fire rated assemblies, see the current UL or ULC Fire Resistance Directory.
2. The inner core assembly is fixed and has a removable button for access to the ceiling radiation damper when the option AV is specified.
3. The diffuser delivers air in a true 360° streamline pattern. Excellent for VAV systems.
4. The diffuser consists of two die-formed concentric cones in all sizes which eliminate mitered corners and provide uniform appearance in all neck sizes set in a panel.
5. Standard finish is AW Appliance White.

OPTIONS:

1. AV Fusible link adjustable volume control (Model 0722A damper)
2. Non-standard temperature U.L. Listed fusible link.
 165°F (74°C)
3. Finish:
 SP Special _____ .

For installation instructions, see IOM-FRDSINST or IOM-FRDFINST.

| | | | | |
|-----------------------|--------------------------------|-----------------|-------------------|--------------------|
| SCHEDULE TYPE: | Dimensions are in inches (mm). | | | |
| PROJECT: | | | | |
| ENGINEER: | DATE | B SERIES | SUPERSEDES | DRAWING NO. |
| CONTRACTOR: | 11 - 24 - 16 | 4400 | 5 - 11 - 15 | 4400-2 |