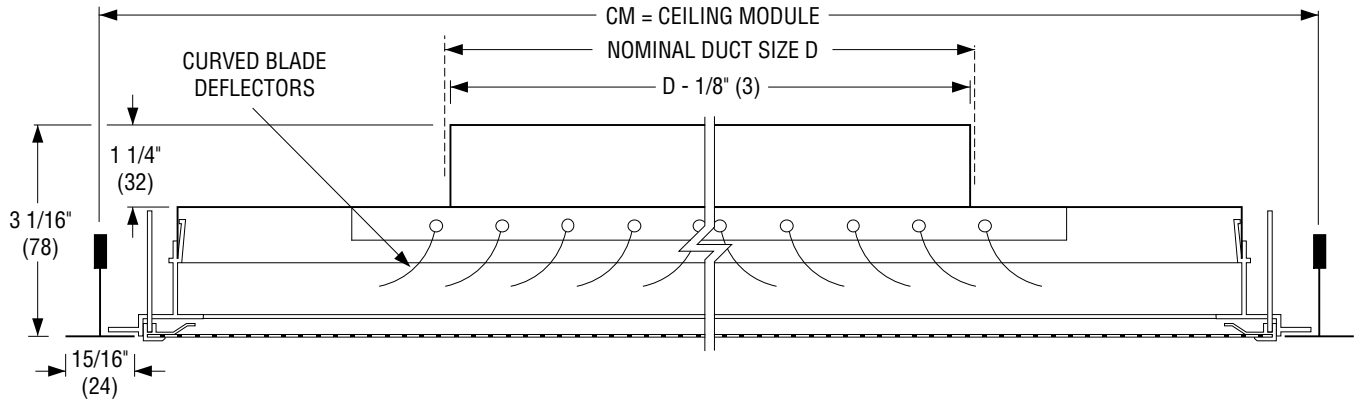




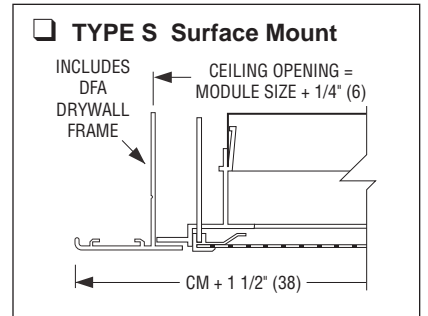
**PERFORATED CEILING DIFFUSER**  
 SUPPLY • PREMIUM ARCHITECTURAL QUALITY  
 CURVED BLADE • ADJ. DISCHARGE PATTERN  
**MODELS: 4330CB, 4330CBA, 4330CBAA**

**TYPE L Lay-in T-Bar**



**Available Combinations of Ceiling Module vs. Neck Size**

Ceiling Module CM		Nominal Duct Size D			
Imperial Modules	Metric Modules	Round Neck		Square Neck	
		Imperial Units (in.)	Metric Units (mm)	Imperial Units (in.)	Metric Units (mm)
12 x 12	300 x 300	6, 8	152, 203	6 x 6, 8 x 8	152 x 152, 203 x 203
24 x 12	600 x 300	6, 8	152, 203	6 x 6, 8 x 8, 18 x 6	152 x 152, 203 x 203, 457 x 152
16 x 16	400 x 400	6, 8, 10, 12	152, 203, 254, 305	6 x 6, 8 x 8, 10 x 10, 12 x 12	152 x 152, 203 x 203, 254 x 254, 305 x 305
20 x 20	500 x 500	6, 8, 10, 12, 14	152, 203, 254, 305, 356	6 x 6, 8 x 8, 10 x 10, 12 x 12, 14 x 14	152 x 152, 203 x 203, 254 x 254, 305 x 305, 381 x 381
24 x 24	600 x 600	6, 8, 10, 12, 14, 15, 16, 18	152, 203, 254, 305, 356, 381, 406, 457	6 x 6, 8 x 8, 10 x 10, 12 x 12, 14 x 14, 15 x 15, 16 x 16, 18 x 18	152 x 152, 203 x 203, 254 x 254, 305 x 305, 356 x 356, 381 x 381, 406 x 406, 457 x 457



**DESCRIPTION:**

1. Material: Extruded aluminum border frame. Corrosion-resistant steel perforated face and back pan.
2. Designed for architectural appeal, the diffuser features a mitered corner aluminum frame that encapsulates the perforated face providing a narrow, visible border within the T-bar module. Discharge pattern can be adjusted from horizontal to vertical. Curved blades are friction pivoted and individually adjustable. Curved blades are designed to maximize throw and provide a superior horizontal throw tight to the ceiling. Standard diffuser has a 4-way (B4) discharge pattern.
3. Removable face has quick release spring latches for easy access to curved blade deflectors and optional damper.
4. Perforated face has 3/16" (5) diameter holes on 1/4" (6) staggered centers.

5. Excellent performance in VAV systems.
6. Standard finish is AW Appliance White.

**OPTIONS:**

- Aluminum perforated face/steel backpan. (Model 4330CBA).
- Aluminum perforated face/aluminum backpan. (Model 4330CBAA).

**Finish:**

- BA Black back pan and deflectors with Appliance White face.
- SP Special \_\_\_\_\_.

**Blow Pattern:**

- B3 3-way
- B2 2-way opposite
- C2 2-way corner
- B1 1-way

**SCHEDULE TYPE:**

**PROJECT:**

**ENGINEER:**

**CONTRACTOR:**

Dimensions are in inches (mm).

DATE	B SERIES	SUPERSEDES	DRAWING NO.
8 - 30 - 13	4300	2 - 20 - 06	4330CB-1