



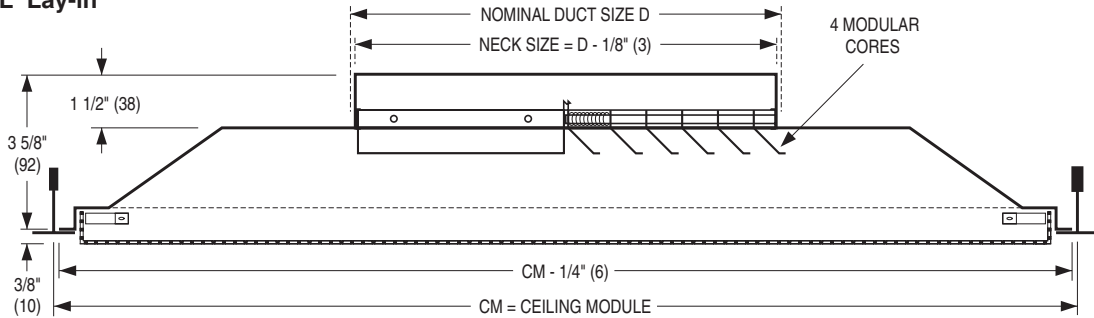
PERFORATED CEILING DIFFUSERS

MODULAR CORE • SUPPLY • DROP FACE

1, 2, 3 OR 4-WAY ADJUSTABLE DISCHARGE PATTERN

MODELS: 4325M, 4325MA

TYPE L Lay-in



Available Combinations of Ceiling Module vs. Neck Size

Ceiling Module CM		Nominal Duct Size D	
Imperial Modules	Metric Modules	Square Neck	
		Imperial Units (inches)	Metric Units (mm)
12 x 12	300 x 300	6 x 6, 8 x 8	152 x 152, 203 x 203
24 x 24	600 x 600	6 x 6, 8 x 8,	152 x 152, 203 x 203,
		10 x 10, 12 x 12,	254 x 254, 305 x 305,
		14 x 14, 15 x 15,	356 x 356, 381 x 381,
		16 x 16, 18 x 18,	406 x 406, 457 x 457,
		20 x 20	508 x 508

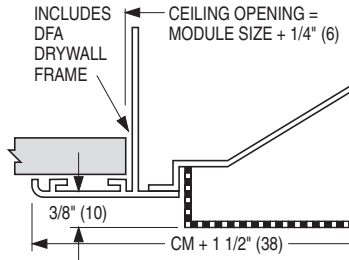
DESCRIPTION:

1. Material: Corrosion-resistant steel.
2. The engineered design, (four individual, spring-loaded, modular pattern controllers), maintains a tight, uniform horizontal throw pattern from maximum to minimum cataloged air volumes.
Discharge pattern can adjust to 1, 2, 3 or 4-way horizontal, before or after installation.
Discharge pattern is adjusted by dropping the perforated face and rotating the pattern deflectors. Diffusers are shipped from the factory with a 4-way discharge pattern.
3. Hinged, removable face for easy access to core and optional damper.
4. Perforated face has 3/16" (5) diameter holes on 1/4" (6) staggered centers (51% free area).
5. Excellent performance in VAV systems.
6. Standard finish is AW Appliance White.

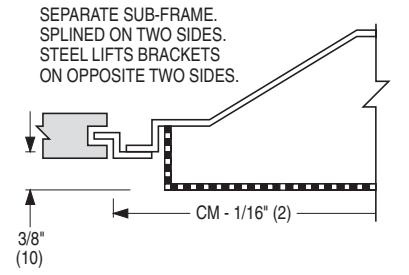
OPTIONS:

- Aluminum perforated face/steel backpan. (Model 4325MA).
 - EX External Foil-Back Insulation, installed - R-4.2 (24 x 24 max.)
 - EXB External Foil-Back Insulation, ships loose - R-4.2 (24 x 24 max.)
 - MIB Molded Insulation Blanket - R-6.0 (24 x 24 only)
- Finish:
- BA Black back pan and deflectors with Appliance White face.
 - SP Special _____.

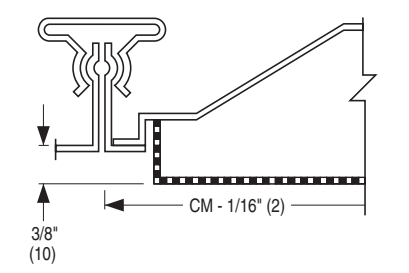
TYPE S Surface Mount



TYPE SP Spline



TYPE M Metal Pan (Snap-in)



SCHEDULE TYPE:

PROJECT:

ENGINEER:

CONTRACTOR:

Dimensions are in inches (mm).

DATE

B SERIES

SUPERSEDES

DRAWING NO.

8 - 7 - 19

4300

3 - 22 - 16

4325M