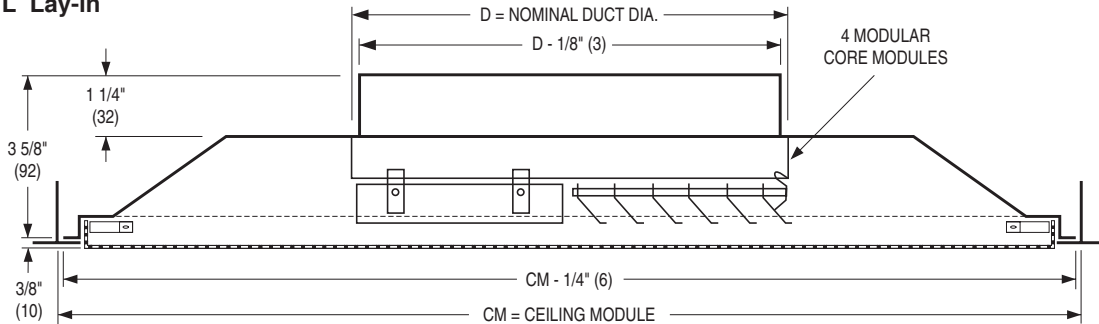




**PERFORATED CEILING DIFFUSERS**  
 MODULAR CORE • ROUND NECK • DROP FACE  
 ADJUSTABLE DISCHARGE PATTERN  
 MODELS: 4325MR, 4325MRA

**TYPE L Lay-in**

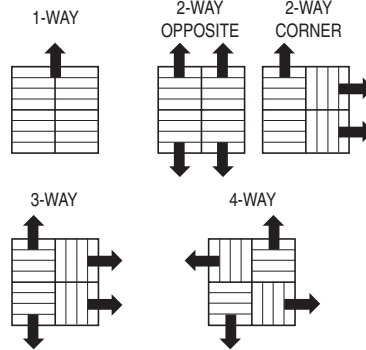


**Available Combinations of Ceiling Module vs. Neck Size**

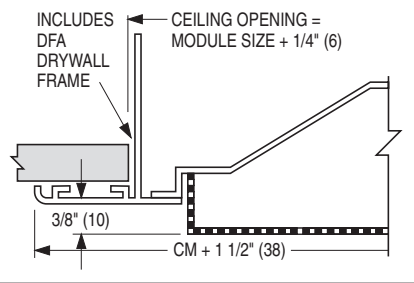
Ceiling Module CM		Nominal Duct Size D	
Imperial Modules	Metric Modules	Round Neck	
		Imperial Units (inches)	Metric Units (mm)
12 x 12	300 x 300	6, 8	152, 203
24 x 24	600 x 600	6, 8,	152, 203,
		10, 12,	254, 305,
		14, 15,	356, 381,
		16	406

**MODULAR CORE ADJUSTMENTS**

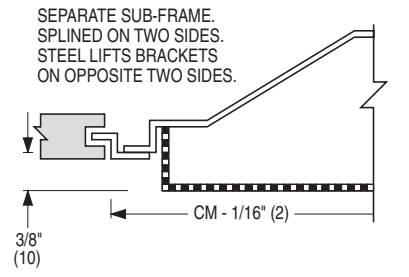
(THE DIFFUSER IS SHIPPED WITH THE CORE SET FOR 4-WAY DISCHARGE).



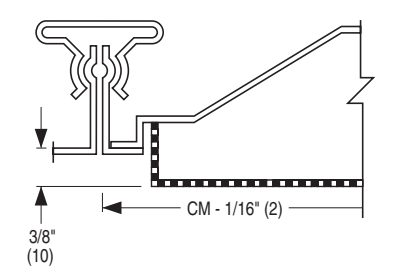
**TYPE S Surface Mount**



**TYPE SP Spline**



**TYPE M Metal Pan (Snap-in)**



**DESCRIPTION:**

1. Material: Corrosion-resistant steel.
2. Low profile back pan features an integral 'blow-thru' round neck which eliminates the need for adaptors. Four individual spring-loaded adjustable modular pattern controllers are mounted inside the backpan. This positions the leading edge of the pattern controllers near the perforated face and flush with ceiling for optimum performance. The engineered design maintains a tight, uniform horizontal throw pattern from maximum to minimum cataloged air volumes. Discharge pattern can adjust to 1, 2, 3 or 4-way horizontal, before or after installation. Discharge pattern is adjusted by dropping the perforated face and rotating the pattern deflectors. Diffusers are shipped from the factory with a 4-way discharge pattern.
3. Hinged, removable face for easy access to core.
4. Perforated face has 3/16" (5) diameter holes on 1/4" (6) staggered centers (51% free area).
5. Excellent performance in VAV systems.
6. Standard finish is AW Appliance White.

**OPTIONS:**

- Aluminum perforated face/steel backpan. (Model 4325MRA).
- EX External Foil-Back Insulation, installed - R-4.2 (24 x 24 max.)
- EXB External Foil-Back Insulation, ships loose - R-4.2 (24 x 24 max.)
- MIB Molded Insulation Blanket - R-6.0 (24 x 24 only)

Finish:

- BA Black back pan and deflectors with Appliance White face.
- SP Special \_\_\_\_\_.

Fineline® is a registered trademark of USG Interiors Inc.

Dimensions are in inches (mm).

<b>SCHEDULE TYPE:</b>				
<b>PROJECT:</b>				
<b>ENGINEER:</b>	<b>DATE</b>	<b>B SERIES</b>	<b>SUPERSEDES</b>	<b>DRAWING NO.</b>
<b>CONTRACTOR:</b>	8 - 7 - 19	4300	3 - 28 - 16	4325MR