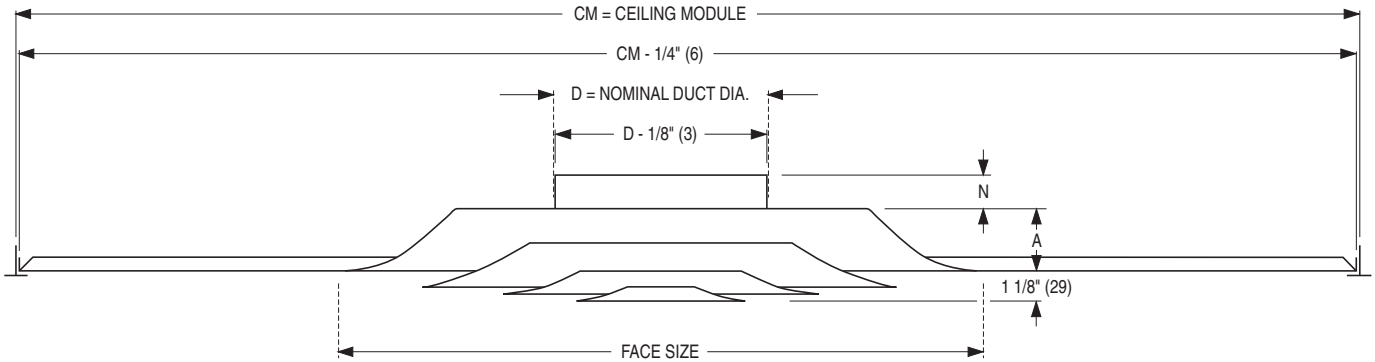




SQUARE CEILING DIFFUSERS
 FIXED PATTERN • PANEL MOUNTED
 STEEL • ROUND NECK • 4 CONE
 MODEL: RNS TYPE PL

TYPE PL Panel Mounted Lay-in T-Bar



Dimensional Data

Ceiling Module CM		Imperial Units (inches)				Metric Units (mm)			
Imperial Modules	Metric Modules	Face Size	Duct Size D	N	A	Face Size	Duct Size D	N	A
24 x 24	600 x 600	12 x 12	4*	3 1/4	1	300 x 300	102*	83	25
24 x 12	600 x 300		5, 6,	1 1/4			127, 152,	32	
20 x 20	500 x 500		7, 8	152, 203					
30 x 30	750 x 750	24 x 24	6, 8, 10, 12, 14, 15	1 1/4	2 5/16	600 x 600	152, 203, 254, 305, 356, 381	32	59
48 x 24	1200 x 600	24 x 24	6, 8, 10, 12, 14, 15	1 1/4	2 5/16	600 x 600	152, 203, 254, 305, 356, 381	32	59

* Supplied with a reducer.

DESCRIPTION:

1. Material: Heavy gauge, corrosion-resistant steel.
2. The diffuser delivers the air in a true 360° radial horizontal pattern. Designed to minimize smudging and streaking of ceiling.
3. Excellent for VAV systems. The uniform near horizontal jets from the louvered cones maintain effective air motion over a considerable range of air volumes.
4. The models consist of four die-formed concentric cones in all sizes which eliminate mitered corners and provide uniform appearance in all neck sizes.
5. A spring clip arrangement permits quick, easy installation and removal of the inner cone assembly.
6. Diffuser has a removable plug for screwdriver adjustment of the optional damper without removing the inner core.
7. Standard finish is AW Appliance White.

OPTIONS:

- EX External Foil-Back Insulation, installed - R-4.2 (24 x 24 max.)
- EXB External Foil-Back Insulation, ships loose - R-4.2 (24 x 24 max.)
- EIC Extended Inlet Collar (2.25") with bead
- EQT Earthquake Tabs
- Finish:
- SP Special. Specify _____ .
- QB Quadrant Blanks:
- QB3 3-Way Blow
- QC2 2-Way Corner Blow
- QB2 2-Way Opposite Blow
- QB1 1-Way Blow

SCHEDULE TYPE:

PROJECT:

ENGINEER:

CONTRACTOR:

Dimensions are in inches (mm).

DATE

B SERIES

SUPERSEDES

DRAWING NO.

4 - 20 - 17

RNS

3 - 10 - 16

4200-4A