



# FIRE RATED DUCTLESS RETURN AIR GRILLES WITH ADJUSTABLE VOLUME CONTROL MODELS: 4111 THRU 4119 AV

### Perforated Grille Models with Adjustable Volume Control:

4111 AV, 4112 AV, 4113 AV

### Eggcrate Grille Models with Adjustable Volume Control:

4114 AV, 4115 AV, 4116 AV

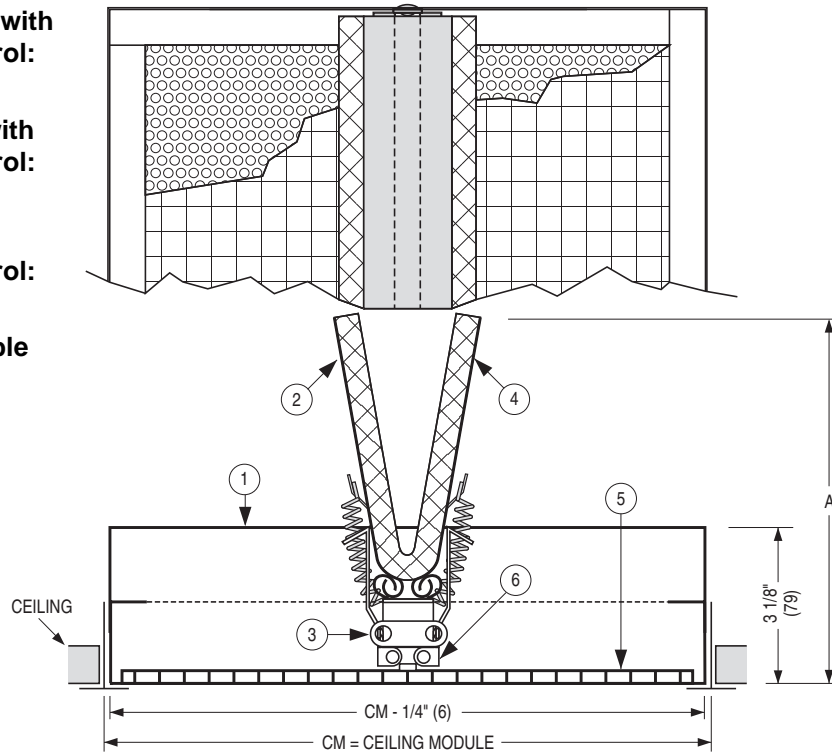
### Open Face Models with Adjustable Volume Control:

4117 AV, 4118 AV, 4119 AV

### AV Fusible Link Adjustable Volume Control Option.

This UL Listed option allows the damper to be used as a balancing damper for volume control.

The blades are adjusted with a 3/16" (5) hex key (by others) and perform like a butterfly damper.



CATEGORY BZZU



CATEGORY CABS & CABS7

### DESCRIPTION:

1. Damper frame: Galvanized steel, standard.
2. Damper blades: Galvanized steel, standard.
3. U.L. Listed fusible link: 212°F (100°C) standard.
4. Blade insulation: Ceramic fiber.
5. Perforated face: Models are corrosion-resistant steel with 3/16" (5) diameter holes on staggered 1/4" (6) centers (51% free area).  
Eggcrate face: Models feature an 1/2 x 1/2 x 1/2 (13 x 13 x 13) aluminum grid core.  
Standard finish: AW Appliance White.
6. AV Adjustable fusible link assembly permits the damper to be used as a balancing damper for volume control. The blades are adjusted with a 3/16" (5) hex key (by others) and perform like a butterfly damper.

### OPTIONS:

1. Non-standard temperature U.L. Listed fusible link.  
 165°F (74°C)
2. Finish:  
 SP Special \_\_\_\_\_ .

The **Nailor Series 4100** are UL/ULC classified fire rated ceiling diffuser assemblies (ceiling dampers).

All diffusers are classified for use in UL/ULC restrained or unrestrained floor/ceiling and or roof/ceiling assemblies which incorporate an exposed grid suspended ceiling (lay-in T-bar) with up to a 3 hour rating. For details of fire rated assemblies, see the current UL or ULC Fire Resistance Directory.

For use with exposed grid T-bar ceilings only.

For installation instructions see IOM-FRDRINST.

### Available Sizes and Dimensional Data

Model No.	Face Type	Ceiling Module		Opening Height A
		Imperial (inches)	Metric (mm)	Standard
4111AV	Perforated	12 x 12	300 x 300	7 1/4 (184)
4112AV		24 x 12	600 x 300	7 1/4 (184)
4113AV		24 x 24	600 x 600	13 1/4 (337)
4114AV	Eggcrate	12 x 12	300 x 300	7 1/4 (184)
4115AV		24 x 12	600 x 300	7 1/4 (184)
4116AV		24 x 24	600 x 600	13 1/4 (337)
4117AV	Open	12 x 12	300 x 300	7 1/4 (184)
4118AV		24 x 12	600 x 300	7 1/4 (184)
4119AV		24 x 24	600 x 600	13 1/4 (337)

SCHEDULE TYPE:

PROJECT:

ENGINEER:

CONTRACTOR:

Dimensions are in inches (mm).

DATE

B SERIES

SUPERSEDES

DRAWING NO.

5 - 11 - 15

4100

11 - 8 - 07

4100-1B