



**FIRE RATED DUCTLESS  
RETURN AIR GRILLES  
LOW PROFILE  
MODELS: 4111 THRU 4119**

**Perforated Grille  
Models:**

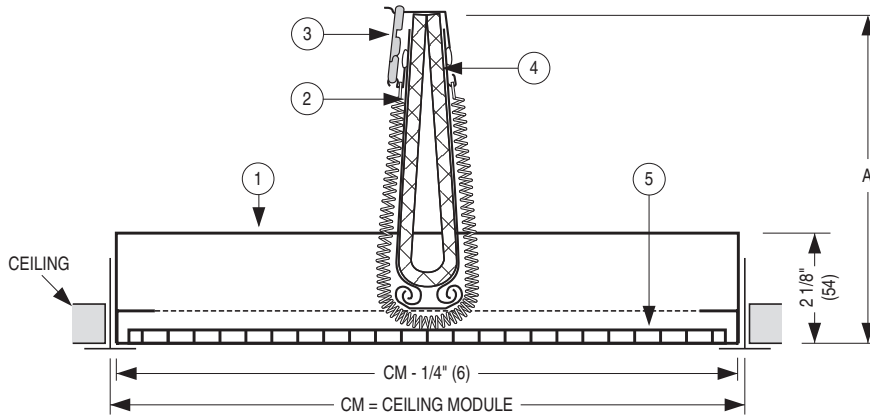
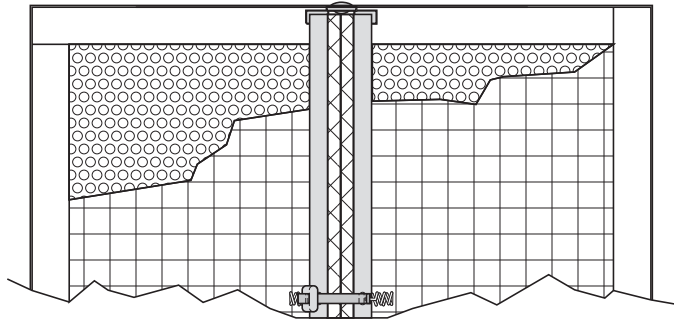
4111, 4112, 4113

**Eggcrate Grille  
Models:**

4114, 4115, 4116

**Open Face Models  
(grille by others):**

4117, 4118, 4119



CLASSIFIED  
CATEGORY  
BZZU



CLASSIFIED  
CATEGORY  
CABS & CABS7

**DESCRIPTION:**

1. Damper frame: Galvanized steel, standard.
2. Damper blades: Galvanized steel, standard.
3. U.L. Listed fusible link: 212°F (100°C) standard.
4. Blade insulation: Ceramic fiber.
5. Perforated face: Models are corrosion-resistant steel with 3/16" (5) diameter holes on staggered 1/4" (6) centers (51% free area).  
Eggcrate face: Models feature an 1/2 x 1/2 x 1/2 (13 x 13 x 13) aluminum grid core.  
Standard finish: AW Appliance White.

The **Nailor Series 4100** are UL/ULC classified fire rated ceiling diffuser assemblies (ceiling dampers).

All diffusers are classified for use in UL/ULC restrained or unrestrained floor/ceiling and or roof/ceiling assemblies which incorporate an exposed grid suspended ceiling (lay-in T-bar) with up to a 3 hour rating. For details of fire rated assemblies, see the current UL or ULC Fire Resistance Directory.

For use with exposed grid T-bar ceilings only.

For installation instructions see IOM-FRDRINST.

**OPTIONS:**

1. Non-standard temperature U.L. Listed fusible link.  
 165°F (74°C)
2. Finish:  
 SP Special \_\_\_\_\_ .

**Available Sizes and Dimensional Data**

Model No.	Face Type	Ceiling Module		Opening Height A
		Imperial (inches)	Metric (mm)	Standard
4111	Perforated	12 x 12	300 x 300	6 1/4 (159)
4112		24 x 12	600 x 300	6 1/4 (159)
4113		24 x 24	600 x 600	12 1/4 (311)
4114	Eggcrate	12 x 12	300 x 300	6 1/4 (159)
4115		24 x 12	600 x 300	6 1/4 (159)
4116		24 x 24	600 x 600	12 1/4 (311)
4117	Open	12 x 12	300 x 300	6 1/4 (159)
4118		24 x 12	600 x 300	6 1/4 (159)
4119		24 x 24	600 x 600	12 1/4 (311)

**SCHEDULE TYPE:**

**PROJECT:**

**ENGINEER:**

**CONTRACTOR:**

Dimensions are in inches (mm).

**DATE**

**B SERIES**

**SUPERSEDES**

**DRAWING NO.**

5 - 11 - 15

4100

10 - 9 - 01

4100-1A