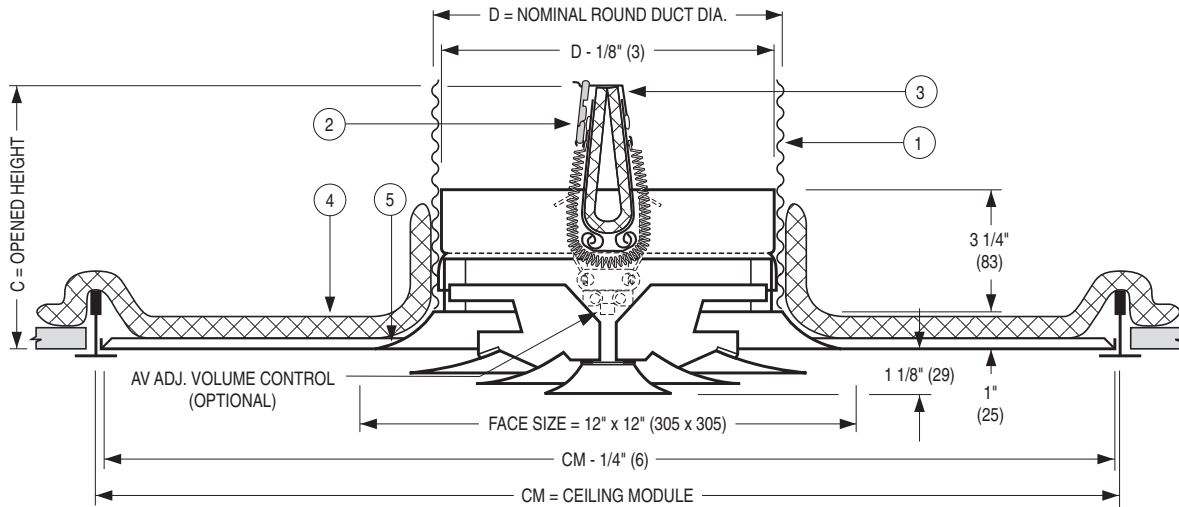




**FIRE RATED CEILING DIFFUSER**  
**FIXED PATTERN • LOUVERED FACE**  
**PANEL TYPE • STEEL • ROUND NECK • 4 CONE**  
**MODELS: 4030 AND 4040**



CLASSIFIED  
 CATEGORY  
 BZZU



CLASSIFIED  
 CATEGORY  
 BZGUC



	Imperial Modules				Metric Modules	
	Imperial Units (inches)		SI Units (mm)		SI Units (mm)	
<b>Listed Neck Size</b>	CM = 24 x 12		CM = 610 x 305		CM = 600 x 300	
	D	C	D	C	D	C
	6	5 1/2	152	140	152	140
8	6 1/2	203	165	203	165	
<b>Listed Neck Size</b>	CM = 24 x 24		CM = 610 x 610		CM = 600 x 600	
	D	C	D	C	D	C
	6	5 1/2	152	140	152	140
8	6 1/2	203	165	203	165	

**MODEL 4030**  
 24 x 12 (600 x 300) module  
 Type PL Panel Lay-in Frame

**MODEL 4040**  
 24 x 24 (600 x 600) module  
 Type PL Panel Lay-in Frame

**ITEMS:**

1. Flexible air duct (UL/ULC Class 0 or 1) connector or steel duct.
2. U.L. Listed fusible link. 212°F (100°C) standard.
3. Ceiling radiation damper/fire stop flap.
4. Ceramic fibre thermal blanket.
5. Corrosion resistant steel panel diffuser.

4. The diffuser consists of four die-formed concentric cones in all sizes which eliminate mitered corners and provide uniform appearance in all neck sizes set in a panel.
5. Standard finish is AW Appliance White.

**DESCRIPTION:**

1. All models are classified for use in UL/ULC restrained or unrestrained floor/ceiling and or roof/ceiling assemblies which incorporate an exposed grid suspended ceiling (lay-in T-bar) with up to a 3 hour rating. For details of fire rated assemblies, see the current UL or ULC Fire Resistance Directory.
2. A spring clip arrangement permits quick, easy installation and removal of the inner cone assembly.
3. The diffuser delivered air in a true 360° streamline pattern. Excellent for VAV systems.

**OPTIONS:**

1.  AV Fusible link adjustable volume control (Model 0722A damper)
2. Non-standard temperature U.L. Listed fusible link.  
 165°F (74°C)
3. Finish:  
 SP Special

**For installation instructions, see IOM-FRDSINST or IOM-FRDFINST.**

Dimensions are in inches (mm).

<b>SCHEDULE TYPE:</b>			
<b>PROJECT:</b>			
<b>ENGINEER:</b>			
<b>CONTRACTOR:</b>			
<b>DATE</b>	<b>B SERIES</b>	<b>SUPERSEDES</b>	<b>DRAWING NO.</b>
11 - 24 - 16	4000	11 - 11 - 15	4000-4A