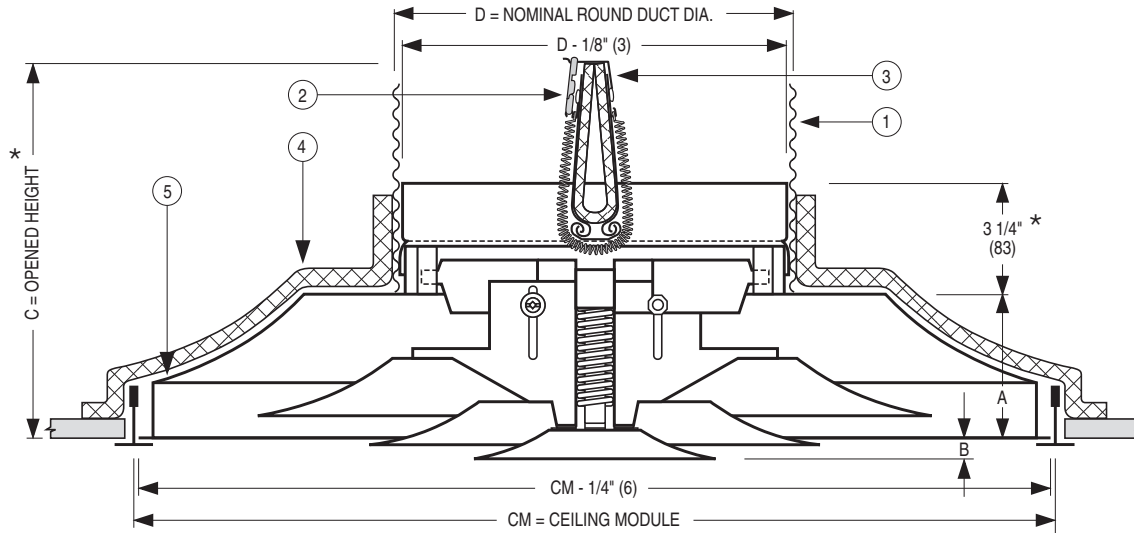




FIRE RATED CEILING DIFFUSER
ADJUSTABLE PATTERN • LOUVERED FACE
STEEL • ROUND NECK • 4 CONE
MODELS: 4010-1 AND 4020-1



CLASSIFIED
 CATEGORY
 BZZU



CLASSIFIED
 CATEGORY
 BZGUC



	Imperial Modules				Metric Modules				Metric Modules					
	Imperial Units (inches)				SI Units (mm)				SI Units (mm)					
Listed Neck Size	CM = 12 x 12				CM = 305 x 305				CM = 300 x 300					
	D	A	B	C*	D	A	B	C*	D	A	B	C*		
6	6	2 1/4	0 to	6 3/4	152	57	0 to	171	152	57	0 to	171		
8	8		1/2	7 3/4	203		13	197	203		13	197		
Listed Neck Size	CM = 24 x 24				CM = 610 x 610				CM = 600 x 600					
	D	A	B	C*	D	A	B	C*	D	A	B	C*		
6	6	3 3/4	to	8 1/4	152	95	to	210	152	95	to	210		
8	8			9 1/4	203			0	235			203	0	235
10	10			10 1/4	254			10	260			254	10	260
12	12			11 1/4	305			10	286			305	10	286
14	14			12 1/4	356			10	311			356	10	311

MODEL 4010-1
 12 x 12 (300 x 300) module
 Type L Lay-in Frame

MODEL 4020-1
 24 x 24 (600 x 600) module
 Type L Lay-in Frame

* Plus 1 1/2" (38) with AV option.

ITEMS:

1. Flexible air duct (UL/ULC Class 0 or 1) connector or steel duct.
2. U.L. Listed fusible link. 212°F (100°C) standard.
3. Ceiling radiation damper/fire stop flap.
4. Ceramic fibre thermal blanket.
5. Corrosion resistant steel diffuser.

DESCRIPTION:

1. All models are classified for use in UL/ULC restrained or unrestrained floor/ceiling and or roof/ceiling assemblies which incorporate an exposed grid suspended ceiling (lay-in T-bar) with up to a 3 hour rating. For details of fire rated assemblies, see the current UL or ULC Fire Resistance Directory.
2. The diffuser has a unique screw-type arrangement for quick and simple adjustment which can vary the air discharge pattern from horizontal to vertical by rotating the center cone and so moving the inner cone assembly up or down. A spring clip arrangement allows removal of the inner cone assembly.

3. The diffuser delivered air in a true 360° streamline pattern. Excellent for VAV systems.
4. The diffuser consists of four die-formed concentric cones in all sizes which eliminate mitered corners and provide uniform appearance in all neck sizes.
5. Standard finish is AW Appliance White.

OPTIONS:

1. AV Fusible link adjustable volume control (Model 0722A damper)
2. Non-standard temperature U.L. Listed fusible link.
 165°F (74°C)
3. Finish:
 SP Special

For installation instructions, see IOM-FRDSINST or IOM-FRDFINST.

SCHEDULE TYPE:	Dimensions are in inches (mm).			
PROJECT:				
ENGINEER:	DATE	B SERIES	SUPERSEDES	DRAWING NO.
CONTRACTOR:	11 - 24 - 16	4000	5 - 11 - 15	4000-3B