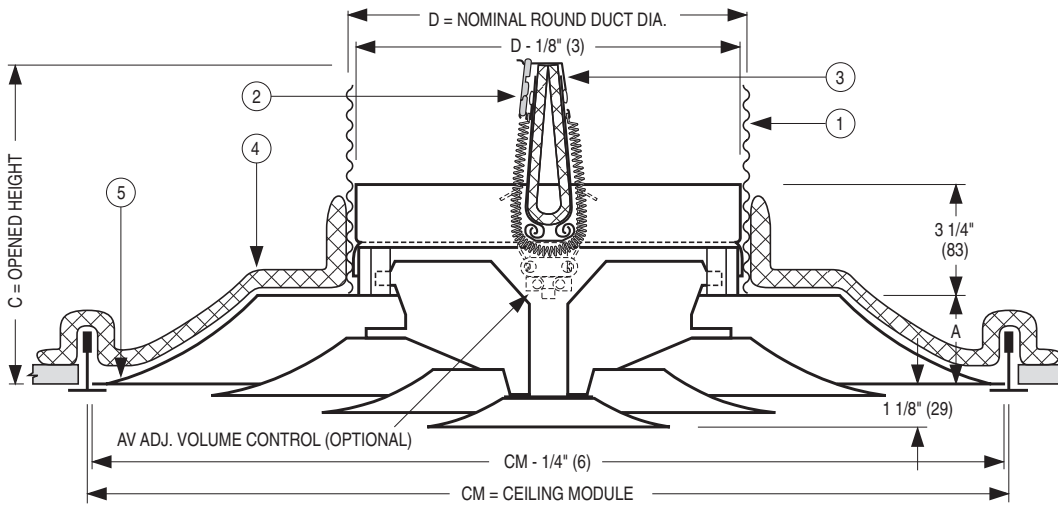




FIRE RATED CEILING DIFFUSER
FIXED PATTERN • LOUVERED FACE •
STEEL • ROUND NECK • 4 CONE
MODELS: 4010 AND 4020



CATEGORY BZZU



CATEGORY BZGUC



	Imperial Modules						Metric Modules		
	Imperial Units (inches)			SI Units (mm)			SI Units (mm)		
Listed Neck Size	CM = 12 x 12			CM = 305 x 305			CM = 300 x 300		
	D	A	C	D	A	C	D	A	C
	6	1	5 1/2	152	25	140	152	25	140
	8		6 1/2	203		165	203		165
Listed Neck Size	CM = 24 x 24			CM = 610 x 610			CM = 600 x 600		
	D	A	C	D	A	C	D	A	C
	6		6 13/16	152		173	152		173
	8		7 13/16	203		198	203		198
	10	2 5/16	8 13/16	254	59	224	254	59	224
	12		9 13/16	305		249	305		249
	14		10 13/16	356		275	356		275

MODEL 4010
12 x 12 (300 x 300) module
Type L Lay-in Frame

MODEL 4020
24 x 24 (600 x 600) module
Type L Lay-in Frame

ITEMS:

- Flexible air duct (UL/ULC Class 0 or 1) connector or steel duct.
- U.L. Listed fusible link. 212°F (100°C) standard.
- Ceiling radiation damper/fire stop flap.
- Ceramic fibre thermal blanket.
- Corrosion resistant steel diffuser.

- The diffuser consists of four die-formed concentric cones in all sizes which eliminate mitered corners and provide uniform appearance in all neck sizes.
- Standard finish is AW Appliance White.

DESCRIPTION:

- All models are classified for use in UL/ULC restrained or unrestrained floor/ceiling and or roof/ceiling assemblies which incorporate an exposed grid suspended ceiling (lay-in T-bar) with up to a 3 hour rating. For details of fire rated assemblies, see the current UL or ULC Fire Resistance Directory.
- A spring clip arrangement permits quick, easy installation and removal of the inner cone assembly.
- The diffuser delivered air in a true 360° streamline pattern. Excellent for VAV systems.

OPTIONS:

- AV Fusible link adjustable volume control (Model 0722A damper)
- Non-standard temperature U.L. Listed fusible link.
 165°F (74°C)
- Finish:
 SP Special

For installation instructions, see IOM-FRDSINST or IOM-FRDFINST.

Dimensions are in inches (mm).

SCHEDULE TYPE:				
PROJECT:				
ENGINEER:	DATE	B SERIES	SUPERSEDES	DRAWING NO.
CONTRACTOR:	11 - 24 - 16	4000	11 - 11 - 15	4000-3A