

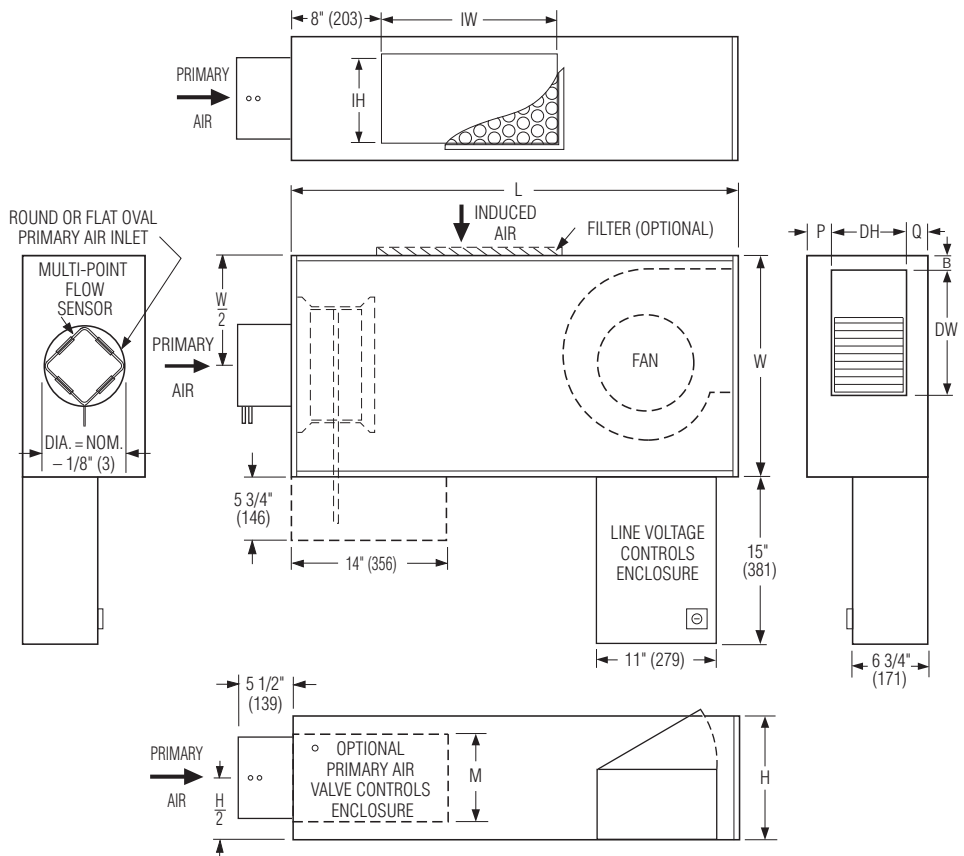


**UNDERFLOOR FAN POWERED TERMINAL UNIT WITH  
EPIC ECM MOTOR  
SERIES FLOW • CONSTANT VOLUME  
MODELS: 38S, 38SW AND 38SE • UNIT SIZES 1, 3 & 5**

**Model 38S Basic Unit**

**STANDARD FEATURES:**

- 20 ga. (1.0) galvanized steel casing components.
- 16 ga. (1.6) galvanized steel inclined opposed blade damper. 45° rotation. CW to close.
- Multi-point averaging flow sensor.
- Full size top access panel.
- Ultra-high efficiency ECM fan motor. EPIC fan volume controller.
- 1/2" (13) dual density insulation, exposed edges coated to prevent air erosion. Meets requirements to NFPA 90A and UL181.
- Single point electrical connection.
- Discharge opening for flanged duct connection.
- Top access hinged door on the line voltage/fan controls enclosure.
- Full primary air valve low voltage enclosure for factory mounted DDC and analog electronic controls.
- Controls mounted as standard on RH side as shown. (Terminals ordered with LH controls (optional) are inverted and discharge duct location elevation will therefore change.



**OPTIONS:**

- Toggle disconnect switch.
- Fiber-free liner.
- Perforated metal liner.
- Steri-liner.
- Solid metal liner.
- Isolator pads.
- Fan Unit fusing.
- Special features: \_\_\_\_\_.

**Dimensional Data**

Unit Size	Inlet Size	W	H	L	M	B	P	Q	Induced Air Inlet IW x IH	Outlet Discharge DW x DH	Filter Size
1	4, 5, 6 (102, 127, 152)	20 (508)	8 1/2 (216)	40 (1016)	8 1/2 (216)	1 3/8 (35)	4 (102)	3/4 (19)	8 x 6 (203 x 152)	7 1/8 x 3 3/4 (181 x 95)	10 x 7 (254 x 179)
3	6, 8, 10 (152, 203, 254)	20 (508)	11 (279)	40 (1016)	11 (279)	1 3/8 (35)	2 (51)	2 (51)	15 3/4 x 8 (400 x 203)	11 1/4 x 7 (286 x 178)	18 x 10 (457 x 254)
5	10, 12**, 14** (254, 305, 356)	20 (508)	15 (381)	49 (1245)	11 (279)	1 1/4 (32)	2 (51)	4 3/4 (121)	14 x 10 1/2 (356 x 267)	11 3/8 x 8 1/4 (289 x 210)	16 x 14 (406 x 356)

\*\* Flat oval inlets

**Electrical Data**

Unit Size	EPIC ECM Motor FLA				
	Motor HP	120V	208V	240V	277V
1	*	3.7	1.9	1.9	1.9
3	*	5.8	3.4	3.4	2.9
5	*	12.6	6.2	6.2	5.5

\* The ECM is a variable horsepower motor. Refer to Selectworks schedule for actual power consumption.

FLA = Full load amperage. All motors are single phase/60 Hz.

**Oval Inlet Dimensions**

Size	PW x PH
12	12 15/16 x 9 13/16 (329 x 249)
14	16 1/16 x 9 13/16 (408 x 249)



Page 1 of 2.  
For heat options; see page 2.  
Dimensions are in inches (mm).

<b>SCHEDULE TYPE:</b>			
<b>PROJECT:</b>			
<b>ENGINEER:</b>		<b>DATE</b>	<b>B SERIES</b>
<b>CONTRACTOR:</b>		<b>SUPERSEDES</b>	<b>DRAWING NO.</b>
		4 - 4 - 16	38S 4 - 20 - 09 38S-1



**UNDERFLOOR FAN POWERED TERMINAL UNIT WITH  
EPIC ECM MOTOR  
SERIES FLOW • CONSTANT VOLUME  
MODELS: 38S, 38SW AND 38SE • UNIT SIZES 1, 3 & 5**

**Hot Water Coil Section Model 38SW**

**Standard Features:**

- Coil section installed on unit discharge.
- Coil (and header on multi-circuit units) is installed in insulated casing for increased thermal efficiency.
- 1/2" (13) copper tubes.
- Aluminum ripper fins.
- Sweat connections: One Row 1/2" (13) O.D. male solder. Two row 7/8" (22) O.D. male solder.
- Top and bottom access panels for inspection and coil cleaning.
- Flanged outlet duct connection.

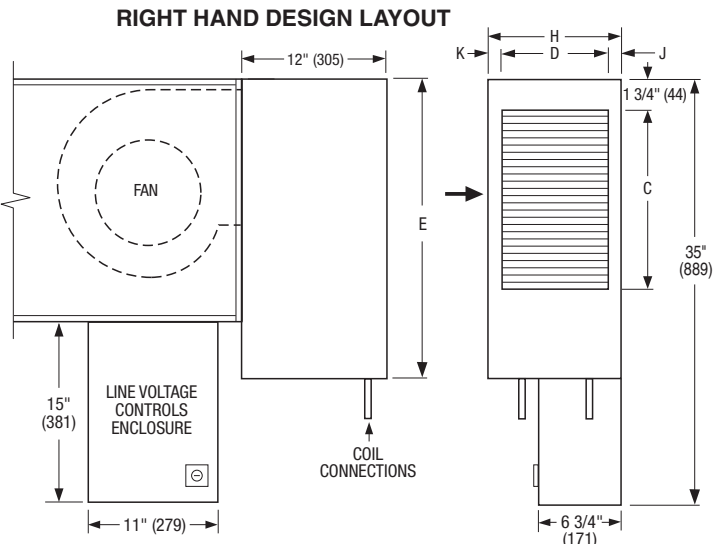
**Coil Rows:**

- 1-Row    2-Row    3-Row

**Coil Connections:**

(Looking in direction of airflow).

- Right hand (illustrated). Standard.  
 Left hand. Optional.



Unit Size	Outlet Duct Size C x D	H	E	J	K
1	14 3/4 x 5 3/4 (375 x 146)	8 1/2 (216)	20 (508)	1 (25)	1 3/4 (44)
3	14 3/4 x 8 3/4 (375 x 222)	11 (278)	20 (508)	1 1/8 (29)	1 1/8 (29)
5	20 x 12 1/2 (508 x 318)	15 (381)	24 3/4 (629)	1 1/4 (32)	1 1/4 (32)

**Electric Coil Section Model 38SE**

**Standard Features:**

- Coil installed on unit discharge.
- Insulated heater element wrapper.
- Automatic reset high limit cut-outs (one per element).
- Class A 80/20 Ni/Cr Wire.
- Flanged outlet duct connection.
- Fan interlock relay.
- Single Point electrical connection for entire terminal unit.
- Terminal unit with heater is ETL listed as an assembly.
- Controls mounted as standard on RH side as shown. Terminal ordered with LH controls (optional) are inverted and discharge duct location/elevation will change.

**Voltage:**

Single phase, 60 Hz.

- 208V    220V    240V    277V

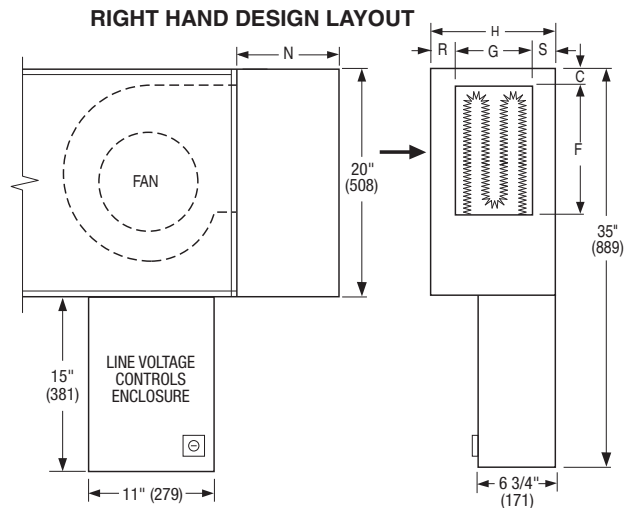
Three phase, 60 Hz. (Unit Size 3 and 5 only)

- 208V    480V (4 wire wye)

- 600V (Dual point connection)    \_\_\_\_\_

**Options:**

- Toggle disconnect switch.
- SCR control.
- Door interlock disconnect switch.
- Mercury contactors.
- Power circuit fusing.
- Airflow safety switch to prove airflow.
- Dust tight construction.
- Manual reset secondary thermal cut out.



Unit Size	Outlet Duct Size F x G	H	N	C	R	S
1	8 1/4 x 6 (210 x 152)	8 1/2 (216)	9 (229)	1 3/8 (35)	1 (25)	1 1/2 (38)
3	11 x 7 3/4 (279 x 197)	11 (279)	9 (229)	1 (25)	1 5/8 (41)	1 5/8 (41)
5	12 x 8 3/4 (305 x 222)	15 (381)	13 3/4 (352)	1 (25)	1 (25)	5 1/4 (133)

SCHEDULE TYPE:

PROJECT:

ENGINEER:

CONTRACTOR:

Page 2 of 2.  
Dimensions are in inches (mm).

DATE	B SERIES	SUPERSEDES	DRAWING NO.
4 - 4 - 16	38S	4 - 20 - 09	38S-1