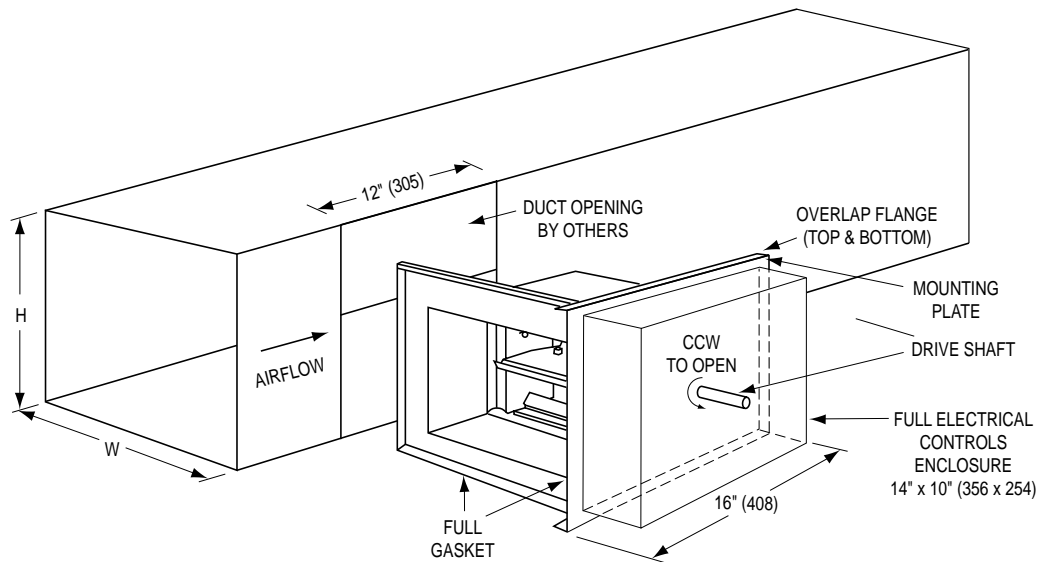




**PRESSURE CONTROL TERMINAL UNIT
 BYPASS OR BRANCH STATIC CONTROL
 ANALOG ELECTRONIC
 MODEL: A36VZS**



DESCRIPTION:

A slide-in type Retrofit Air Terminal Unit for square or rectangular ductwork. Each unit size is available to suit various duct sizes as shown in the table. Simple low cost installation into existing ductwork. The installer cuts a rectangular hole in the side of the duct, cuts away the insulation (where present), slides the unit into the duct and screws the mounting plate to the side of the duct.

Limits static pressure in duct systems by one of two methods:

1. Z1 Bypass relief pressure control. 2. Z2 Branch discharge pressure control. See control submittals for full description. An analog controller / actuator with transducer is mounted inside control enclosure with an adjustable static pressure control module. 10' (3049) of plenum rated tubing and a static pressure tap are provided for remote field installation.

STANDARD CONSTRUCTION:

1. Damper: 16 ga. (1.6) galvanized steel construction with extruded PVC blade seals and metallic side jamb seals. Leakage is less than 2% of nominal CFM @ 3.0" w.g. 90 degree rotation. CW to close (CCW to open).
2. Bearings: Celcon.
3. Drive Shaft: 1/2" (13) dia. plated steel, double-bolted to blade. Indicator mark on the end of the shaft to show damper position.
4. Gasket under the mounting plate and around periphery of terminal insert seal the unit to the sides of the duct.

CONTROL SEQUENCE.

Z1 OR Z2. See separate submittal.

OPTIONS:

- 24 volt control transformer
- Toggle disconnect switch

Unit Size	Nom-Valve Size	Total Flow Range		Available Duct Size Width x Height	
		cfm	l/s	inches	mm
7	5 x 5	0 - 200	0 - 94	5 x 5 to 12 x 8	127 x 127 to 305 x 203
8	6 x 6	0 - 300	0 - 142	6 x 6 to 12 x 10	152 x 152 to 305 x 254
9	8 x 6	0 - 400	0 - 189	8 x 6 to 16 x 10	203 x 152 to 406 x 254
10	10 x 8	0 - 700	0 - 330	10 x 8 to 18 x 12	254 x 203 to 457 x 305
11	14 x 8	0 - 1000	0 - 472	14 x 8 to 22 x 12	356 x 203 to 559 x 305
11A	18 x 6	0 - 1000	0 - 472	18 x 6 to 26 x 10	457 x 152 to 660 x 254
12	12 x 10	0 - 1100	0 - 519	12 x 10 to 22 x 14	305 x 254 to 559 x 356
13	18 x 10	0 - 1900	0 - 897	18 x 10 to 28 x 14	457 x 254 to 711 x 356
14	18 x 12	0 - 2400	0 - 1133	18 x 12 to 28 x 16	457 x 305 to 711 x 406
15	20 x 14	0 - 3800	0 - 1794	20 x 14 to 30 x 18	508 x 356 to 762 x 457
15A	30 x 12	0 - 5400	0 - 2549	30 x 12 to 36 x 16	762 x 305 to 914 x 406
16	22 x 16	0 - 5400	0 - 2549	22 x 16 to 36 x 20	559 x 406 to 914 x 508
17	24 x 18	0 - 6700	0 - 3162	24 x 18 to 36 x 26	610 x 457 to 914 x 660
18	30 x 20	0 - 10000	0 - 4720	30 x 20 to 46 x 26	762 x 508 to 1168 x 660
19	40 x 20	0 - 15000	0 - 7080	40 x 20 to 52 x 26	1016 x 508 to 1321 x 660

SCHEDULE TYPE:		Dimensions are in inches (mm).			
PROJECT:					
ENGINEER:	DATE	B SERIES	SUPERSEDES	DRAWING NO.	
CONTRACTOR:	11 - 15 - 01	3600	NEW	36VZS-1	