

"Ampliflow"

FOR USE IN VAV SYSTEMS & FOR FLOW MEASURING SYSTEMS.

- Accurate readings at low air velocities amplified to usable signal pressures.
- Adaptable to all applications requiring airflow measurement.
- Ideal for modern low pressure VAV control.
- Simple installation.
- Rugged extruded aluminum construction.

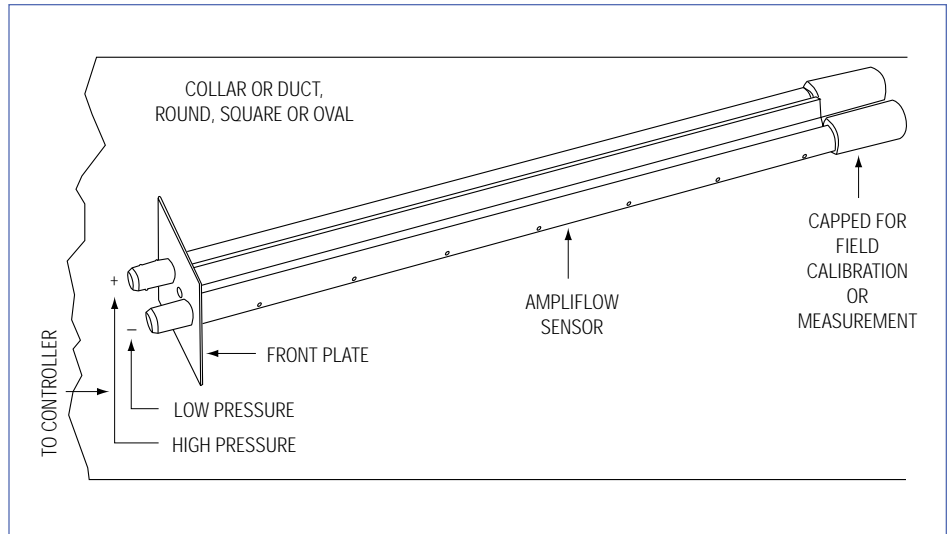
FEATURES:

- Multi-point linear averaging design.
- Three times velocity pressure signal amplification.
- Adaptable to round, square, oval (or any other shape) collar or duct sizes from 4" (102) up to 30" (762).
- Slide in design is easy to install in new or existing ductwork.
- The Ampliflow sensor is manufactured in heavy duty extruded aluminum with brass fittings.
- Precision drilled sensing holes and a smooth cut and finish ensure performance.
- Double Taps allow field check connections.
- Designed to give negligible flow pressure drop and regenerative noise values.
- Accurate low velocity readings.

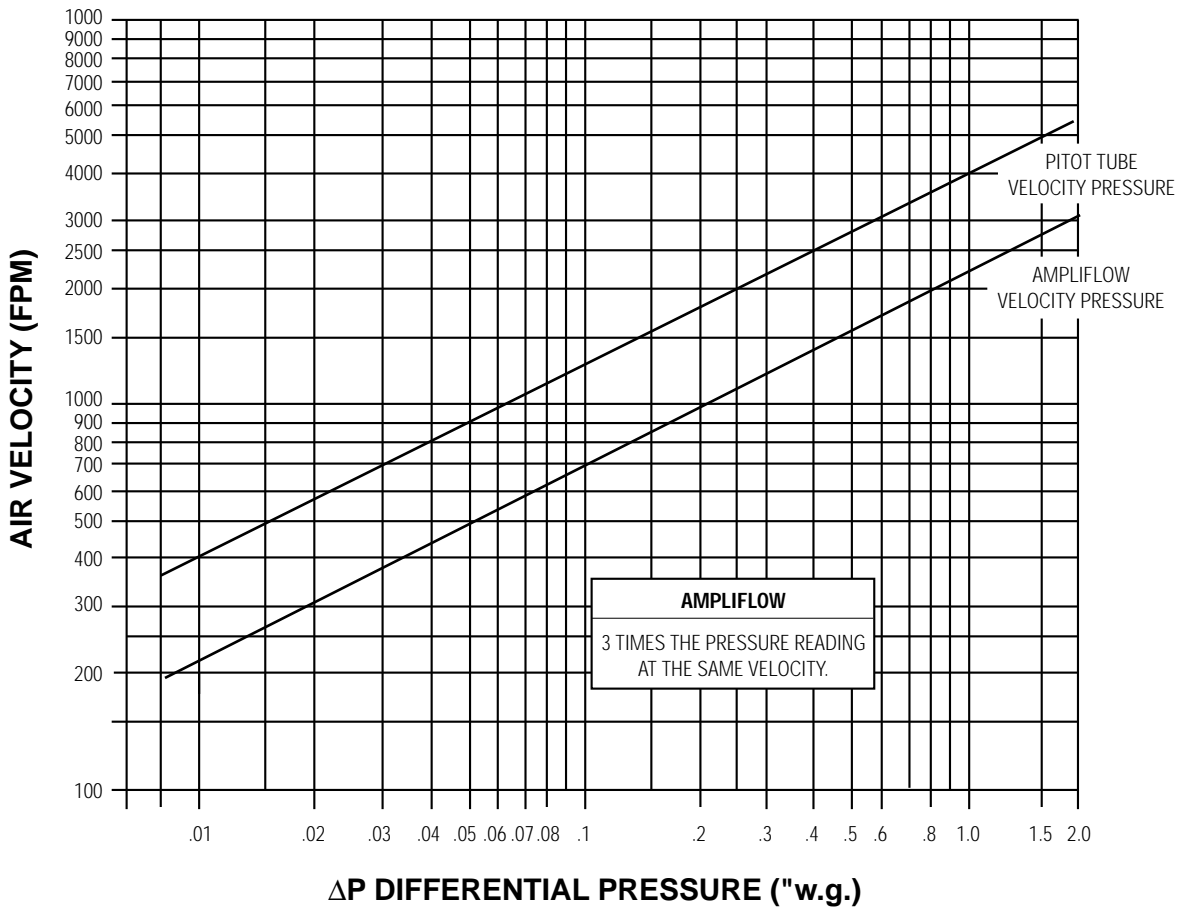


AMPLIFLOW SENSOR

The Ampliflow Multiplying Sensor is cleverly designed to accurately sense high or low velocity airflow in air systems. The multiplying capability of the sensor amplifies the flow impact or velocity pressure reading by 3, which allows very low airflow velocities to be accurately measured. This design also averages variations in velocity pressure across the duct to give the mean airflow reading.



AMPLIFLOW SENSOR CALIBRATION CURVE



Houston, Texas
Tel: (281) 590-1172
Fax: (281) 590-3086

Toronto, Canada
Tel: (416) 744-3300
Fax: (416) 744-3360

Las Vegas, Nevada
Tel: (702) 648-5400
Fax: (702) 638-0400

Calgary, Canada
Tel: (403) 279-8619
Fax: (403) 279-5035

Thetford, Norfolk, England
Tel: (0) 1842 765657
Fax: (0) 1842 753493