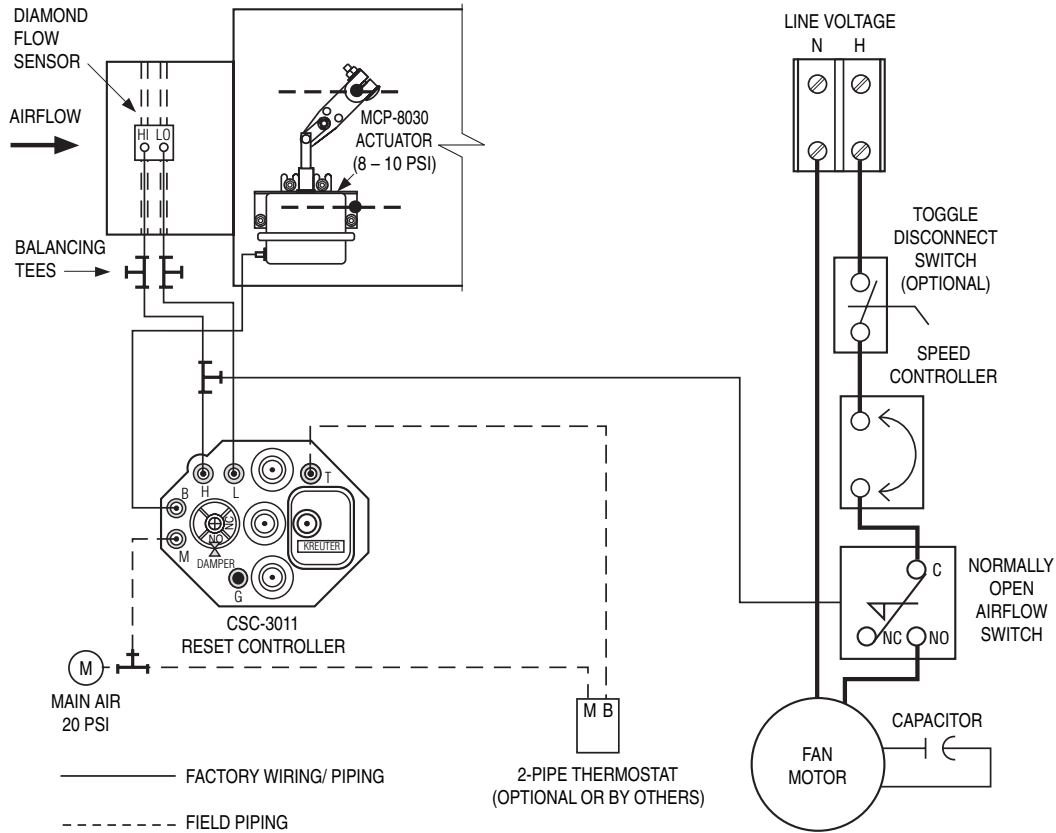




**PNEUMATIC CONTROL**  
**FAN POWERED TERMINAL UNIT • SERIES FLOW**  
**CONSTANT VOLUME • PRESSURE INDEPENDENT**  
**MODELS: 35S, 35SST, 37S AND 37SST OPTION: QK**



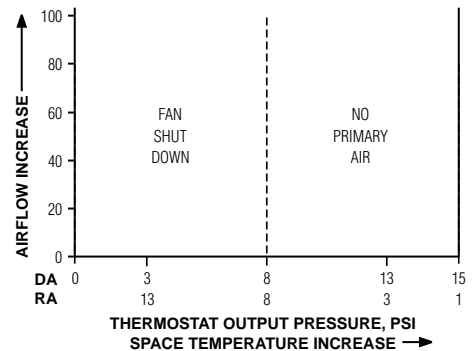
**CONTROL SUBSEQUENCE QK**  
**NIGHT SHUT DOWN WITH AIRFLOW SWITCH**  
 (See main control sequence for daytime operation).

**Sequence of Operation:**

A positive pressure airflow switch, piped to the high side of the primary inlet Diamond Flow Sensor, de-energizes the terminal fan upon loss of primary (central) air.

The terminal fan will remain off until the primary air is restored.

**UNOCCUPIED CYCLE (Central System Off).**  
**Night Shut Down.**



SCHEDULE TYPE:

PROJECT:

ENGINEER:

CONTRACTOR:

Dimensions are in inches (mm).

DATE	B SERIES	SUPERSEDES	DRAWING NO.
10 - 18 - 07	3500	12 - 2 - 02	35SCD-QK