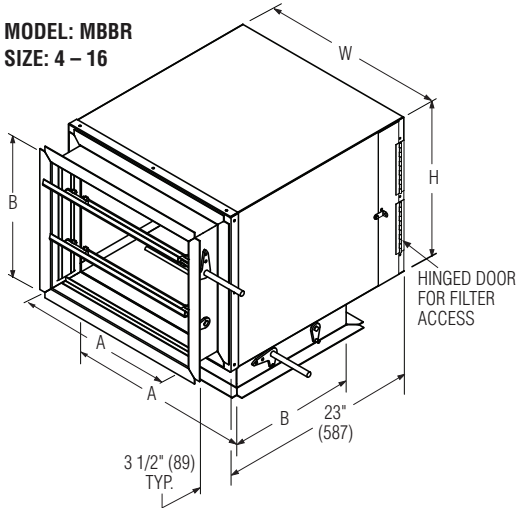
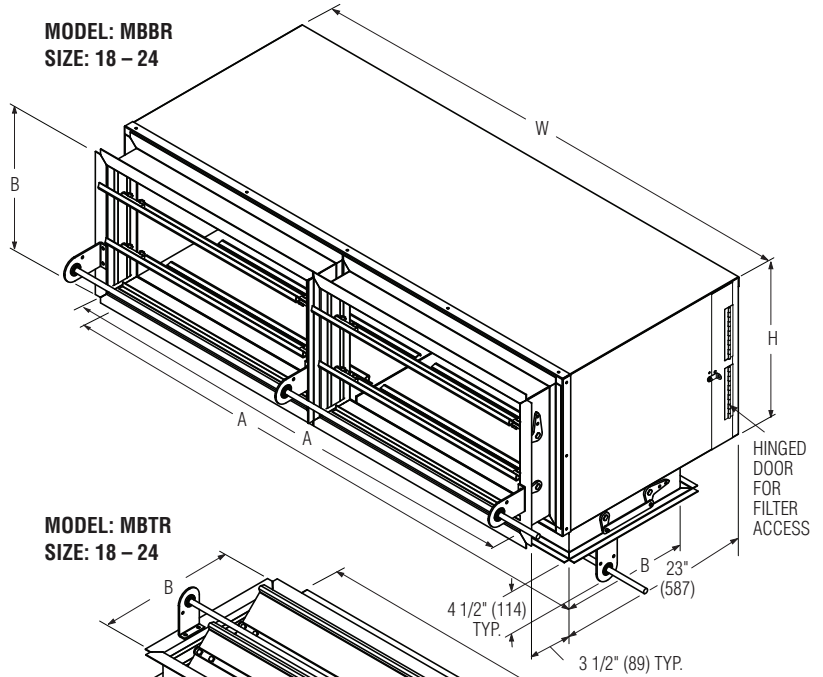


## MIXING BOX FOR HIGH PERFORMANCE HORIZONTAL FAN COIL UNITS - 35FH SERIES MODEL OPTION CODES: MBBR & MBTR

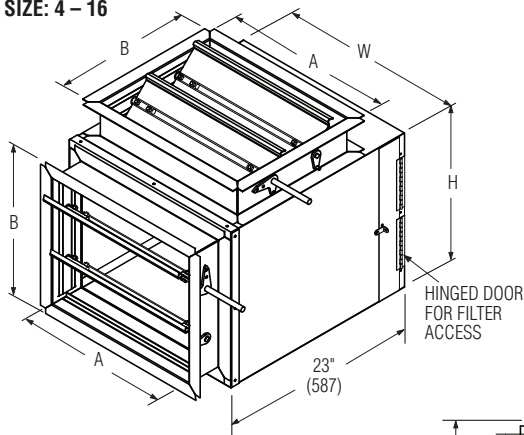
**MODEL: MBBR**  
**SIZE: 4 - 16**



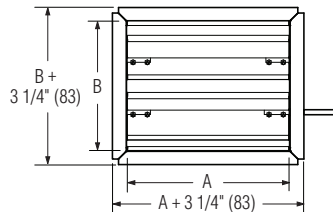
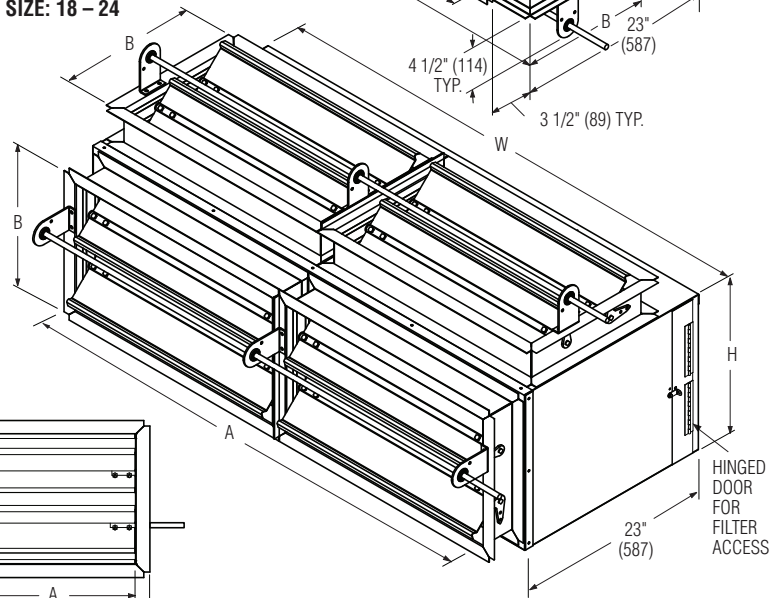
**MODEL: MBBR**  
**SIZE: 18 - 24**



**MODEL: MBTR**  
**SIZE: 4 - 16**



**MODEL: MBTR**  
**SIZE: 18 - 24**



**MODELS:**

- MBBR**  
Bottom and Rear Return Dampers.
- MBTR**  
Top and Rear Return Dampers.

**DESCRIPTION:**

The fully insulated mixing box with filter rack and heavy duty dampers provides a mixing capability for control of return air and outside air for economizer operation.

**STANDARD FEATURES:**

- 18 ga. (1.3) galvanized steel casing.
- 3/4" (19) dual density insulation, exposed edges coated to prevent air erosion. Meets the requirements of NFPA 90A and UL 181.
- Low leakage parallel blade and jamb control dampers with seals.

- Filter rack to accommodate a 1" (25) standard or 2" (51)
- A piano-hinged door flap with latch on the side and bottom of the mixing box allows for easy removal and replacement of filter.
- 1 5/8" (41) flange on dampers for a flanged duct connection.
- 1/2" (13) dia. driveshaft.
- Crank-arms, swivels and linkage rod provided for damper inter-connection.
- Actuator and controls by others.
- Assembly ships loose.

**Dimensional Data**

Unit Size	A	B	W	H
4 - 8	19 (483)	13 3/4 (349)	22 1/4 (565)	17 (432)
10 - 16	33 (838)	13 3/4 (349)	36 1/4 (921)	17 (432)
18 - 24	50 (1270)	13 3/4 (349)	54 1/4 (1388)	17 (432)

Dimensions are in inches (mm).

**SCHEDULE TYPE:**

**PROJECT:**

**ENGINEER:**

**CONTRACTOR:**

DATE	B SERIES	SUPERSEDES	DRAWING NO.
6 - 6 - 13	35FH	NEW	35FH-MB