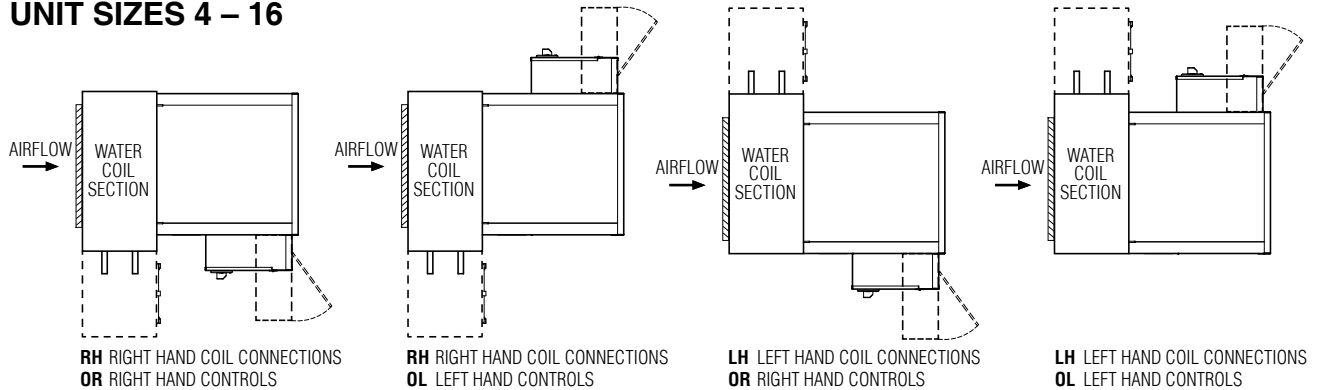
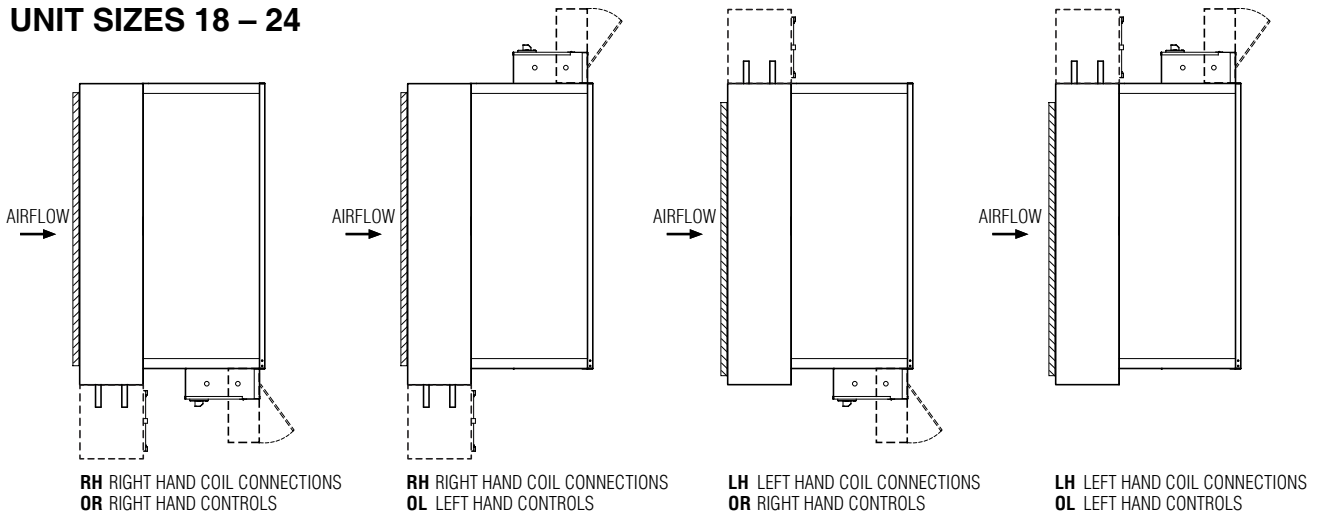


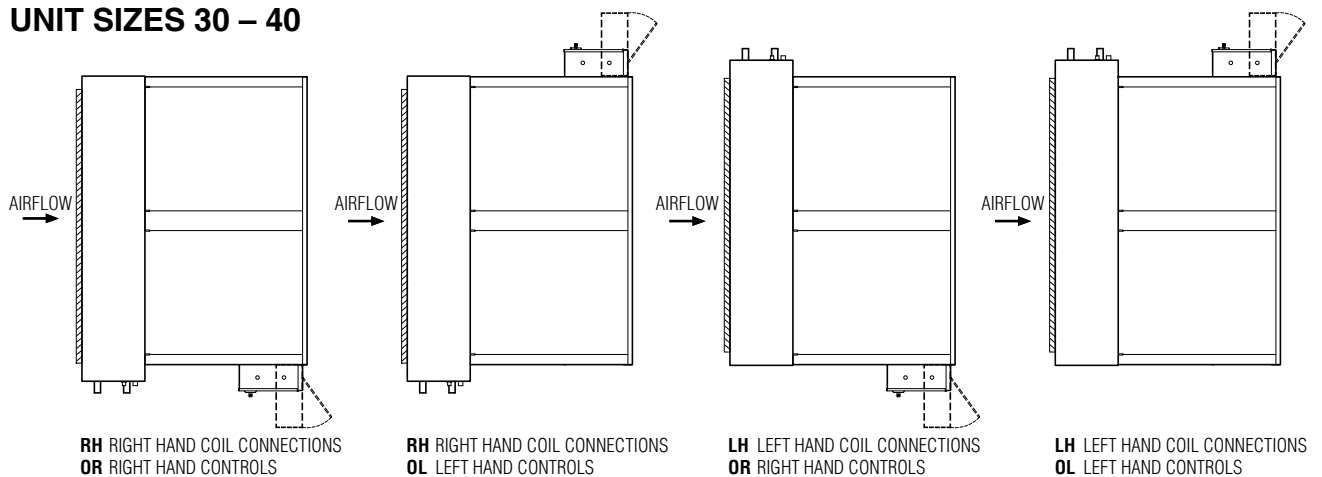
### MODELS 35FHW, 35FHZ, 35FHZW UNIT SIZES 4 – 16



### UNIT SIZES 18 – 24



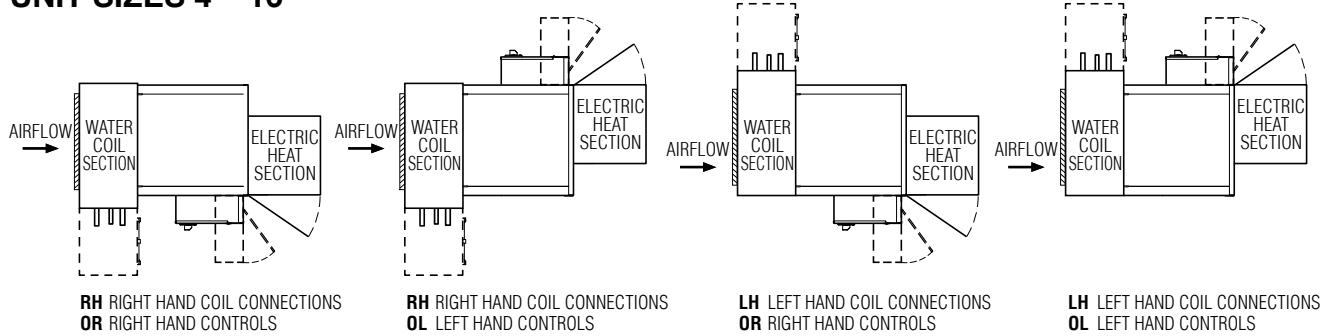
### UNIT SIZES 30 – 40



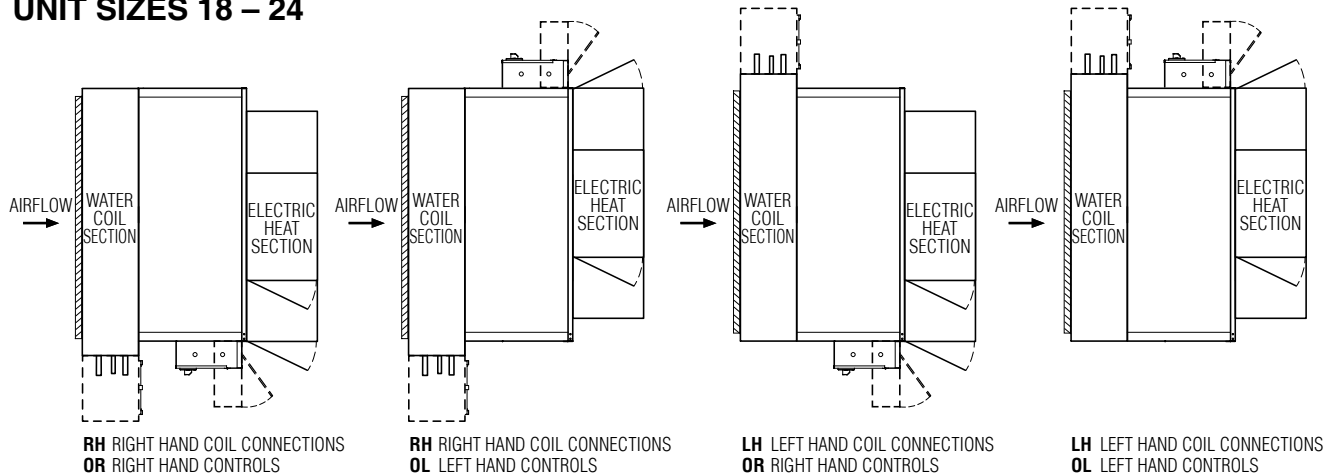
**NOTE:** Optional Outside Air Inlet (OAI) available on unit configurations where controls and coil connections are on the same side.

<b>SCHEDULE TYPE:</b>	Page 1 of 3.			
<b>PROJECT:</b>	Dimensions are in inches (mm).			
<b>ENGINEER:</b>	<b>DATE</b>	<b>B SERIES</b>	<b>SUPERSEDES</b>	<b>DRAWING NO.</b>
<b>CONTRACTOR:</b>	5 - 25 - 21	35FH	NEW	35FH-9

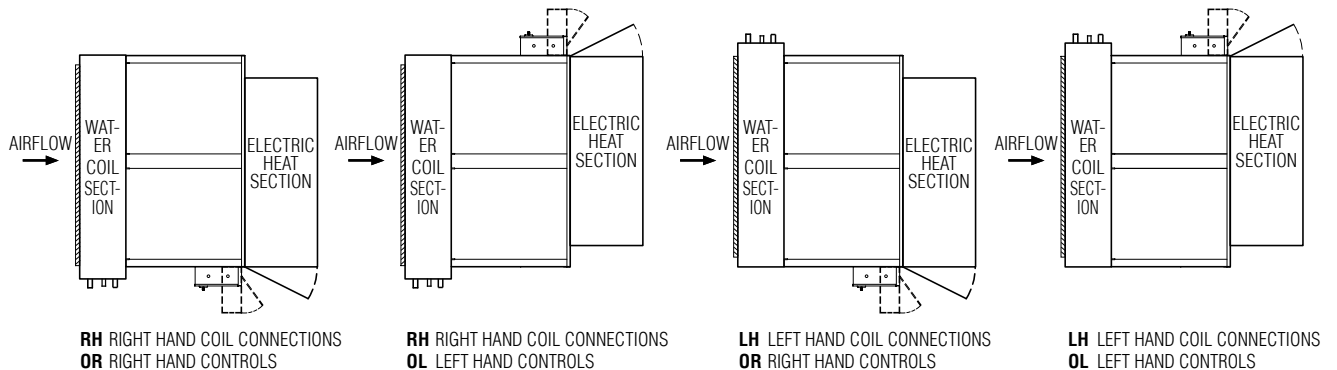
### MODEL 35FHZE UNIT SIZES 4 – 16



### UNIT SIZES 18 – 24



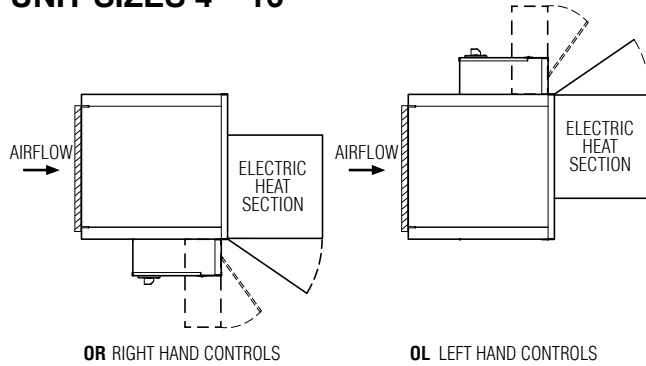
### UNIT SIZES 30 & 40



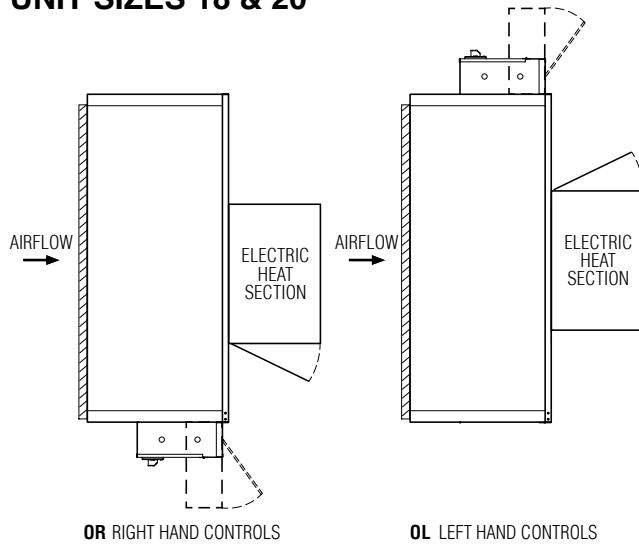
**NOTE:** Optional Outside Air Inlet (OAI) available on unit configurations where controls and coil connections are on the same side.

<b>SCHEDULE TYPE:</b>		Page 2 of 3.			
<b>PROJECT:</b>		Dimensions are in inches (mm).			
<b>ENGINEER:</b>		<b>DATE</b>	<b>B SERIES</b>	<b>SUPERSEDES</b>	<b>DRAWING NO.</b>
<b>CONTRACTOR:</b>		5 - 25 - 21	35FH	NEW	35FH-9

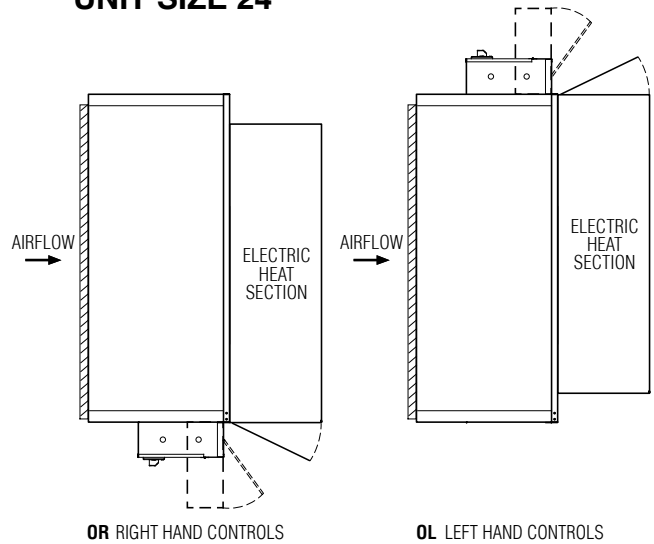
### MODEL 35FHE UNIT SIZES 4 – 16



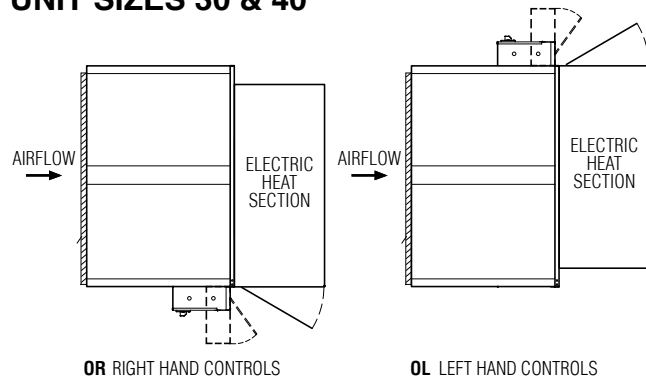
### UNIT SIZES 18 & 20



### UNIT SIZE 24



### UNIT SIZES 30 & 40



**NOTE:** Optional Outside Air Inlet (OAI) available on unit configurations where controls and coil connections are on the same side.

<b>SCHEDULE TYPE:</b>	Page 3 of 3.			
<b>PROJECT:</b>	Dimensions are in inches (mm).			
<b>ENGINEER:</b>	<b>DATE</b>	<b>B SERIES</b>	<b>SUPERSEDES</b>	<b>DRAWING NO.</b>
<b>CONTRACTOR:</b>	5 - 25 - 21	35FH	NEW	35FH-9