

### STANDARD FEATURES:

- 18 ga. (1.3) galvanized steel channel frame with 20 ga. (1.0) casing components.
- 3/4" (19) dual density insulation, exposed edges coated to prevent air erosion. Meets the requirements of NFPA 90A and UL 181.
- Side and bottom full size access panels for ease of maintenance and service.
- Ultra-energy efficient ECM fan motor with overload protection. Solid state EPIC fan volume controller.
- Motor blower assembly mounted on special 16 ga. (1.6) angles and isolated from casing with rubber isolators.
- Single point electrical connection.
- Controls mounted as standard on RH side as shown. Fan coil ordered with LH controls (optional) are inverted and discharge duct hanging location will therefore change.
- 1" (25) throwaway fiberglass media filter.

### Dimensional Data

Unit Size	Nominal CFM (l/s)	W	W2	Inlet IW x IH	Outlet Duct Size F x G	K	M	Filter Size
8	800 (378)	28 3/4 (730)	23 (584)	19 x 15 (483 x 381)	11 1/4 x 10 1/2 (286 x 267)	16 1/2 (419)	6 1/2 (165)	20 x 16 (508 x 406)
16	1600 (755)	42 3/4 (1086)	37 (940)	33 x 15 (838 x 381)	15 1/8 x 11 3/4 (384 x 298)	23 (584)	14 (356)	35 x 16 (889 x 406)

### Electrical Data

Unit Size	Motor HP	EPIC ECM Motor FLA			
		120V	208V	240V	277V
8	*	3.3	2.2	2.1	2.1
16	*	7.2	4.9	4.7	4.6

\* The EPIC ECM is a variable horsepower motor. Refer to Selectworks schedule for actual power consumption. FLA = Full load amperage. All motors are single phase/60 Hz.



### ELECTRIC COIL SECTION:

- Hinged door with heater element module for easy access, removal and replacement of heater element without disturbing ductwork.
- Coil installed on unit discharge.
- Insulated coil element wrapper.
- Automatic reset high limit cut-outs (one per element).
- Flanged outlet duct connection.

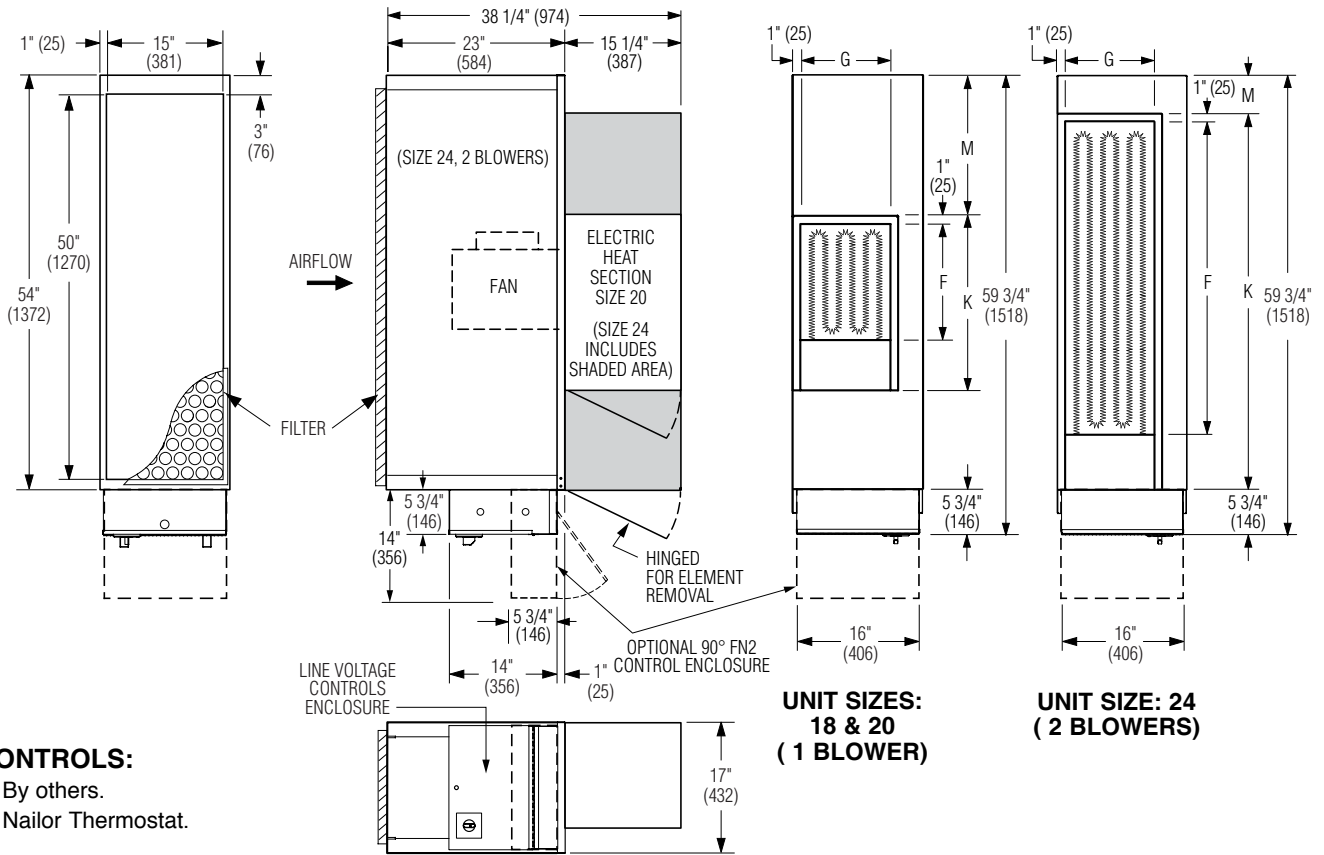
### Electric Coil Options:

- Door interlock disconnect switch.
- SCR Controls
- Power circuit fusing.
- Class 'A' 80/20 Ni./Cr. Wire.
- Dust tight construction.
- Manual reset secondary thermal cut-out.

### Voltage:

- Single Phase, 60 Hz.:
- 120V  208V
  - 240V  277V
- Three phase, 60 Hz.:
- 208V  480V (4 wire wye)

<b>SCHEDULE TYPE:</b>		Page 1 of 3.			
<b>PROJECT:</b>		Dimensions are in inches (mm).			
<b>ENGINEER:</b>	<b>DATE</b>	<b>B SERIES</b>	<b>SUPERSEDES</b>	<b>DRAWING NO.</b>	
<b>CONTRACTOR:</b>	4 - 11 - 22	35FH	11 - 24 - 20	35FH-6	



### CONTROLS:

- By others.
- Nailor Thermostat.

### OPTIONS AND ACCESSORIES:

- 2" (51) pleated disposable filter.
    - MERV 8
    - MERV 13
  - Fiber-free liner.
  - Perforated metal liner.
  - Steri-liner.
  - Steri-liner w/perf.
  - 1" (25) fiberglass liner.
  - Hanger brackets.
  - LH controls location/configuration.
  - Safety overflow float switch.
  - Toggle disconnect switch.
  - Ducted return filter rack connection (see separate submittal 35FH/37FH-FFR).
  - Mixing Box (See submittal 35FH-MB).
  - FN2 90° line voltage enclosure.
  - FN3 Remote line voltage enclosure (see separate submittal FN3).
  - Induced Air Silencer (see separate submittals 35FH-DSI and 35FH-DSIE).
- Seismic Certification:
- SSI (Standard)
  - OSHPD
  - Special Features: \_\_\_\_\_ .

### Dimensional Data

Unit Size	Nominal CFM (l/s)	Outlet Duct Size F x G	K	M	Filter Size
20	2000 (944)	15 1/4 x 11 3/4 (387 x 298)	23 (584)	18 3/8 (467)	52 x 16 (1321 x 406)
24	2400 (1133)	41 1/4 x 11 3/4 (1048 x 298)	49 (1245)	5 (127)	52 x 16 (1321 x 406)

### Electrical Data

Unit Size	Motor HP	EPIC ECM Motor FLA			
		120V	208V	240V	277V
20	*	9.6	6.3	6.1	6.0
24	*	11.8	7.9	7.8	7.5

\* The EPIC ECM is a variable horsepower motor. Refer to Selectworks schedule for actual power consumption. FLA = Full load amperage. All motors are single phase/60 Hz.



**SCHEDULE TYPE:**

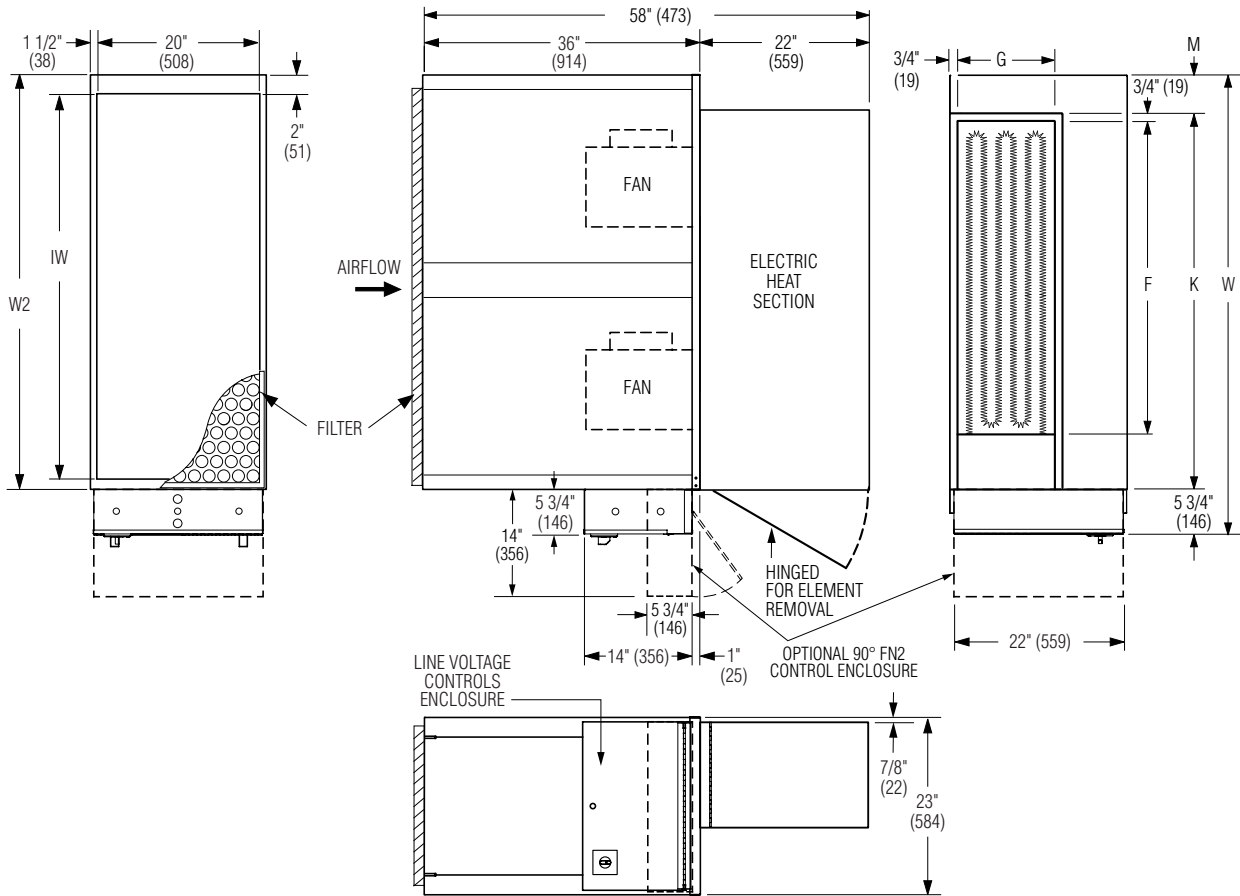
**PROJECT:**

**ENGINEER:**

**CONTRACTOR:**

Page 2 of 3.  
Dimensions are in inches (mm).

DATE	B SERIES	SUPERSEDES	DRAWING NO.
4 - 11 - 22	35FH	11 - 24 - 20	35FH-6



### Dimensional Data

Unit Size	Nominal CFM (l/s)	Outlet Duct Size F x G	K	M	W2	IW	W	Filter Size
30	3000 (1416)	41 1/2 x 12 (1054 x 305)	49 (1245)	5 (127)	54 (1372)	50 (1270)	59 3/4 (1518)	22 x 52 (559 x 1321)
40	4000 (1888)	48 1/2 x 13 1/2 (1232 x 343)	57 (1448)	7 (178)	64 (1626)	60 (1524)	67 3/4 (1772)	22 x 62 (559 x 1575)

### Electrical Data

Unit Size	Motor HP	EPIC ECM Motor FLA			
		120V	208V	240V	277V
30	*	12.6	8.7	8.4	8.0
40	*	19.4	12.5	11.9	11.6

\* The EPIC ECM is a variable horsepower motor. Refer to Selectworks schedule for actual power consumption. FLA = Full load amperage. All motors are single phase/60 Hz.



<b>SCHEDULE TYPE:</b>		Page 3 of 3.			
<b>PROJECT:</b>		Dimensions are in inches (mm).			
<b>ENGINEER:</b>	<b>DATE</b>	<b>B SERIES</b>	<b>SUPERSEDES</b>	<b>DRAWING NO.</b>	
<b>CONTRACTOR:</b>	4 - 11 - 22	35FH	11 - 24 - 20	35FH-6	