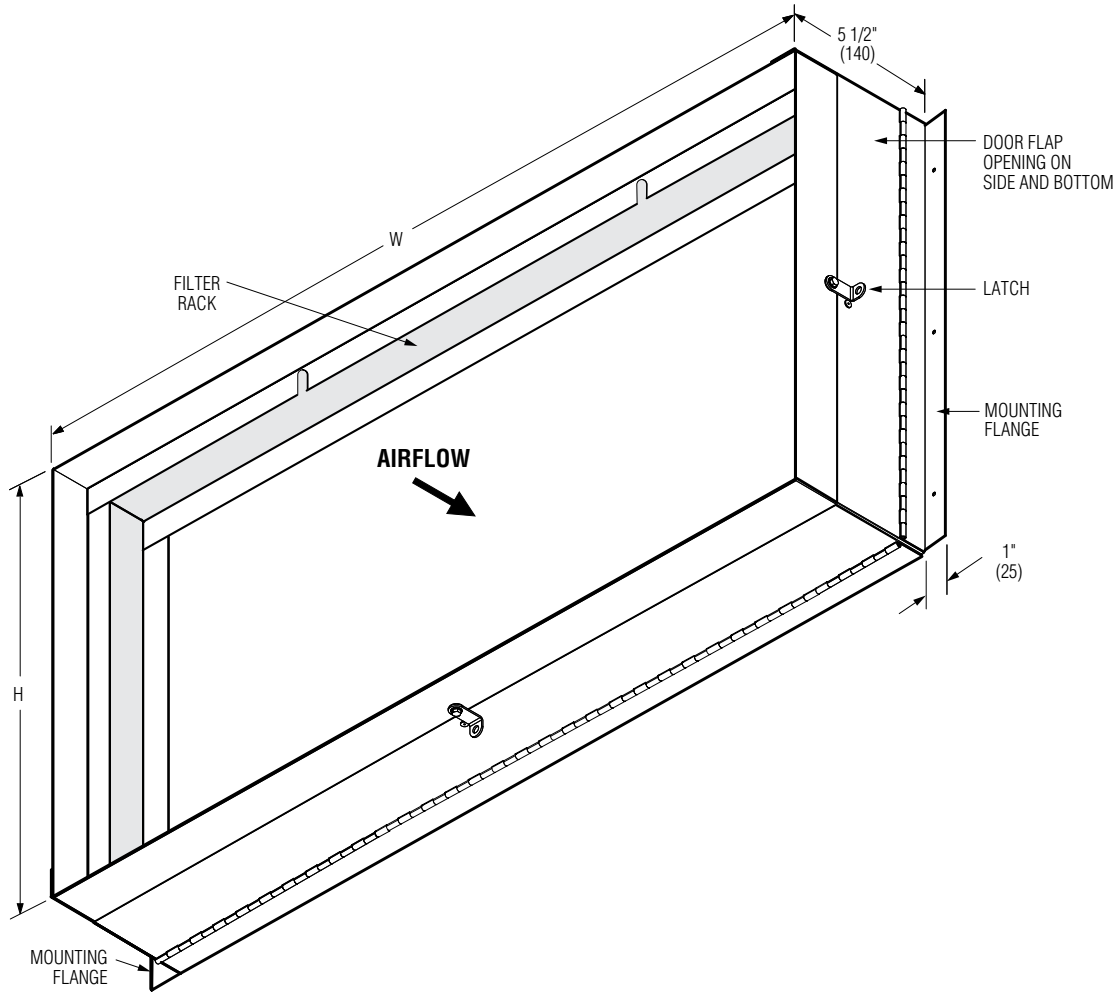




**FAN POWERED CHILLED WATER TERMINAL UNITS
UNIVERSAL DUCTED RETURN FILTER RACK
ACCESSORY CODE DRFR
MODEL SERIES: 33SZ**



Description:

- The DRFR Ducted Return Filter Rack is an optional accessory for the Fan Powered Chilled Water Terminal Model Series 33SZ.
- The accessory is required for ducted inlet applications where a filter is also required and ease of accessibility is required.
- The Ducted Filter Connection features a filter rack, which accommodates a 1" (25) standard or 2" (51) optional filter.
- Factory mounted on the induced air inlet of the draw through water coil section.
- A piano-hinged door flap with latch on the side and bottom of the unit accessory allows for easy removal and replacement of the filter.
- The accessory is provided with a nominally sized duct connection collar.

Dimensional Data

Unit Size	Inlet Size W x H	Filter Size W x H
10	43 x 7 1/2 (1092 x 191)	45 x 8 1/2 (1143 x 216)
30	36 x 8 3/4 (914 x 222)	38 x 10 (965 x 254)
35	50 x 10 (1270 x 254)	2 @ 26 x 11 (660 x 279)
40	31 x 15 (787 x 381)	33 x 16 (838 x 406)
50	36 x 15 (914 x 381)	38 x 16 (965 x 406)
55	50 x 15 (1270 x 381)	52 x 16 (1321 x 406)

SCHEDULE TYPE:		Dimensions are in inches (mm).			
PROJECT:					
ENGINEER:	DATE	B SERIES	SUPERSEDES	DRAWING NO.	
CONTRACTOR:	8 - 4 - 21	33SZ	2 - 26 - 20	33SZ-FR	