



FAN POWERED CHILLED WATER TERMINAL UNIT
SENSIBLE COOLING (DOAS) • CONSTANT OR VARIABLE VOLUME
MODELS: 33SZ, 33SE AND 33SZW
UNIT SIZES: 40, 50 AND 55
WITH 90° LINE VOLTAGE ENCLOSURE (FN2 OPTION)

DESCRIPTION:

- Sensible cooling coil on the induced air inlet handles zone sensible load. Opposite side to controls location. Aluminum ripple fins (10 FPI) and 1/2" (13) copper tubes. Hand of coil connection is determined looking in direction of airflow (RH shown).

- 18 ga. (1.31) galvanized steel channel frame with 20 ga. (1.00) casing components.

- 16 ga. (1.61) galvanized steel inclined opposed blade damper. 45° rotation. CW to close.

- Ultra-high efficiency ECM, fan motor. EPIC fan volume controller.

- 3/4" (19) dual density fiberglass installation, exposed edge coated to prevent air erosion. Meets requirements of NFPA 90A and UL 181.

- Access panels top and bottom.

- Multi-point averaging Diamond Flow Sensor. Supplied with balancing tees.

- Discharge opening for flanged duct connection.

- Single point electrical connection.

- Low voltage NEMA 1 type enclosure for factory mounted DDC controls.

- FN2 line voltage enclosure incorporates a hinged access door opening upstream that helps ensure NEC clearance requirements and reduces footprint.

- Controls mounted as standard on RH side as shown. Terminals ordered with LH controls (optional) are inverted and discharge duct hanging elevation will therefore change.

- Galvanized steel drip pan integral to sensible coil.

- Filter Frame and 1" (25) disposable filter.

OPTIONS:

CW Coil:

- 2-Row 4-Row
- 6-Row 8-Row

Condensate Sensor

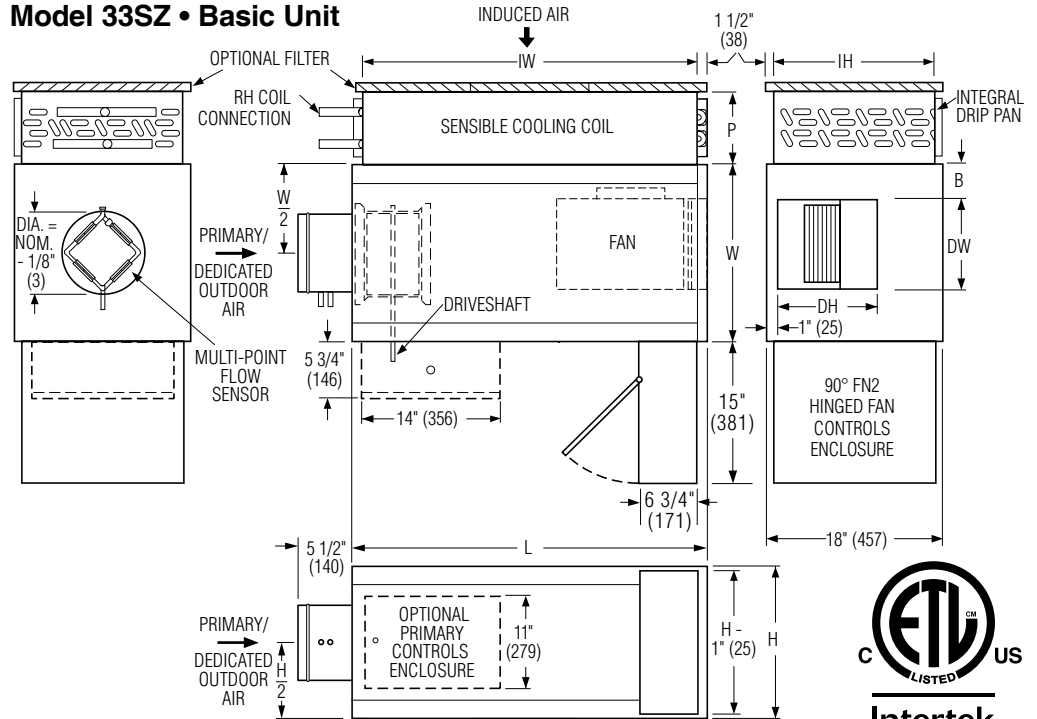
Coil Connections:

- Right Hand (Default)
- Left Hand

Liner:

- Fiber-free
- Steri-liner
- Steri-liner + Perforated metal
- Perforated metal
- Solid metal

Model 33SZ • Basic Unit



Dimensional Data

Unit Size	Inlet Size	W	H	L	B	Cooling Coil IW x IH	P	Outlet Discharge DW x DH	Filter Size
40	4, 5, 6, 8, 10 (102, 127, 152, 203, 254)	18 (457)	18 (457)	36 (914)	3 1/2 (89)	31 x 15 (787 x 381)	2 Row: 5 1/8 (130)	9 1/8 x 10 1/4 (232 x 260)	33 x 16 (838 x 406)
							4 Row: 7 5/16 (186)		
50	4, 5, 6, 8, 10, 12 (102, 127, 152, 203, 254, 305)	26 (660)	18 (457)	41 (1041)	5 (127)	36 x 15 (914 x 381)	6 Row: 9 1/2 (241)	13 1/8 x 11 1/4 (333 x 286)	38 x 16 (965 x 406)
							8 Row: 11 1/2 (292)		
55	4, 5, 6, 8, 10, 12 (102, 127, 152, 203, 254, 305)	26 (660)	18 (457)	55 (1397)	5 (127)	50 x 15 (1270 x 381)	6 Row: 9 1/2 (241)	13 1/8 x 11 1/4 (333 x 286)	52 x 16 (1321 x 406)
							8 Row: 11 1/2 (292)		

Electrical Data

Unit Size	EPIC ECM Motor FLA				
	Motor HP	120V	208V	240V	277V
40	*	6.5	4.3	4.2	4.2
50	*	10.5	6.8	6.2	6.0
55	*	9.5	6.4	6.2	6.0

* The EPIC ECM is a variable horsepower motor. Refer to Selectworks schedule for actual power consumption. FLA = Full load amperage. All motors are single phase/60 Hz.

Filter:

- 1" (25) Throwaway.
- 2" (51) Pleated MERV 8.
- 2" (51) Pleated MERV 13.
- Ducted Return Filter Rack (See submittal 33SZ-FR).

Electrical:

- LH Controls enclosure
- Toggle disconnect switch.
- FN3 - Remote line voltage enclosure.
- Motor fusing.

CW Coil O.D. Sweat Connections

Unit Size	No. of Row
40, 50, 55	2, 4, 6 & 8
	7/8" (22)



Other:

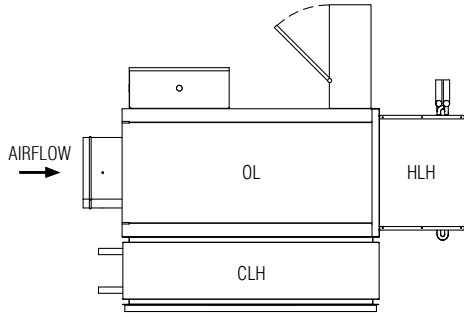
- Cross Flow Sensor
- Hanger brackets
- 1/4-turn fasteners (access panel).
- Induced Air Silencer (See submittal 33SZ-DSI)
- Induced Air Silencer Elbow (See submittal 33SZ-DSIE)
- Seismic Certification:**
 - Seismic Source International (Standard)
 - HCAI (formerly OSHPD, California)
 - Special Features: _____

Page 1 of 3; For heat options; see page 2. Dimensions are in inches (mm).

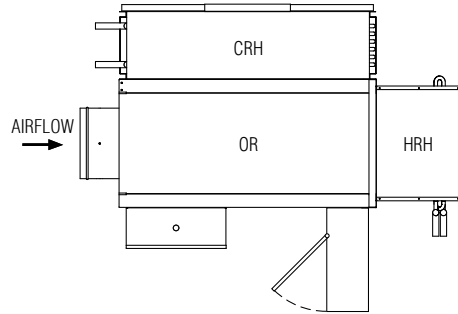
SCHEDULE TYPE:				
PROJECT:				
ENGINEER:		DATE	B SERIES	SUPERSEDES
CONTRACTOR:		2 - 6 - 23	3300	6 - 6 - 22
				DRAWING NO.
				33SZ-4



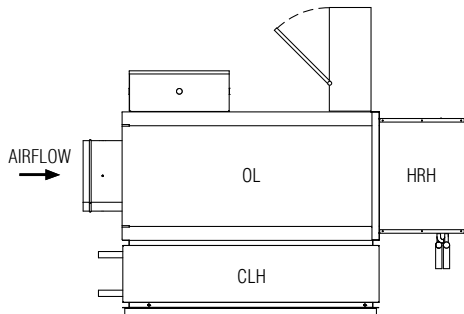
**FAN POWERED CHILLED WATER TERMINAL UNITS
ORIENTATIONS
MODELS: 33SZE AND 33SZW
UNIT SIZES: 40, 50 AND 55
WITH 90° LINE VOLTAGE ENCLOSURE (FN2 OPTION)**



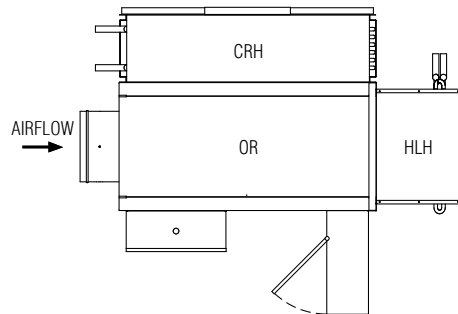
OL LEFT HAND CONTROLS
CLH LEFT HAND COOLING COIL CONNECTIONS
HLH LEFT HAND HEATING COIL CONNECTIONS



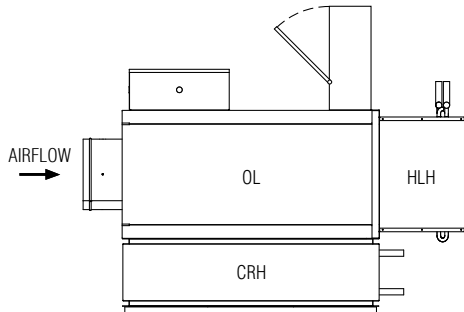
OR RIGHT HAND CONTROLS
CRH RIGHT HAND COOLING COIL CONNECTIONS
HRH RIGHT HAND HEATING COIL CONNECTIONS



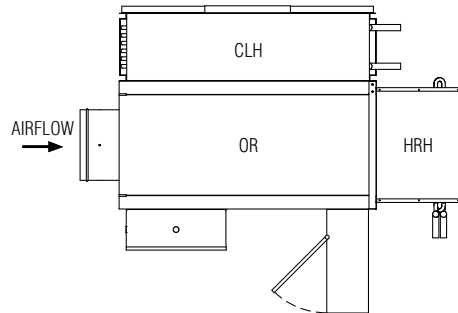
OL LEFT HAND CONTROLS
CLH LEFT HAND COOLING COIL CONNECTIONS
HRH RIGHT HAND HEATING COIL CONNECTIONS



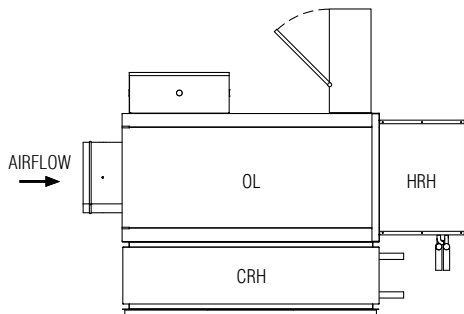
OR RIGHT HAND CONTROLS
CRH RIGHT HAND COOLING COIL CONNECTIONS
HLH LEFT HAND HEATING COIL CONNECTIONS



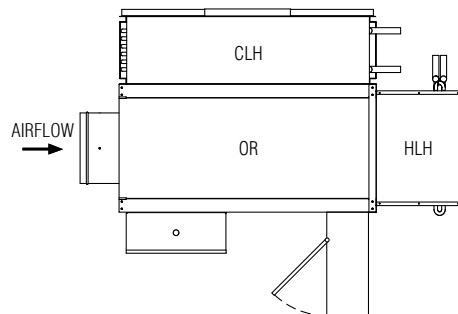
OL LEFT HAND CONTROLS
CRH RIGHT HAND COOLING COIL CONNECTIONS
HLH LEFT HAND HEATING COIL CONNECTIONS



OR RIGHT HAND CONTROLS
CLH LEFT HAND COOLING COIL CONNECTIONS
HRH RIGHT HAND HEATING COIL CONNECTIONS



OL LEFT HAND CONTROLS
CRH RIGHT HAND COOLING COIL CONNECTIONS
HRH RIGHT HAND HEATING COIL CONNECTIONS



OR RIGHT HAND CONTROLS
CLH LEFT HAND COOLING COIL CONNECTIONS
HLH LEFT HAND HEATING COIL CONNECTIONS

SCHEDULE TYPE:

PROJECT:

ENGINEER:

CONTRACTOR:

Page 3 of 3.

Dimensions are in inches (mm).

DATE

B SERIES

SUPERSEDES

DRAWING NO

2 - 6 - 23

3300

6 - 6 - 22

33SZ-4